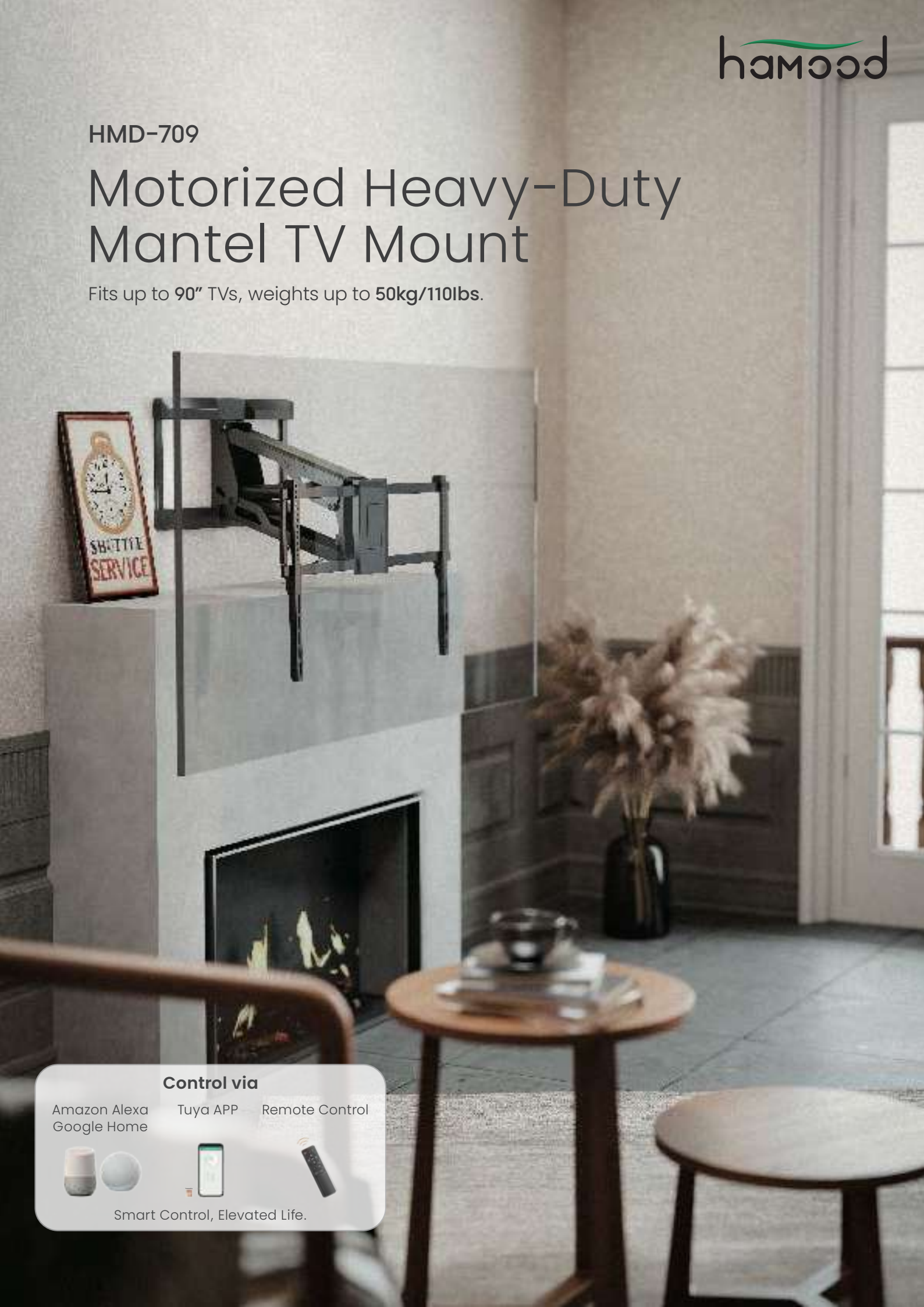


HMD-709

Motorized Heavy-Duty Mantel TV Mount

Fits up to 90" TVs, weights up to 50kg/110lbs.



Control via

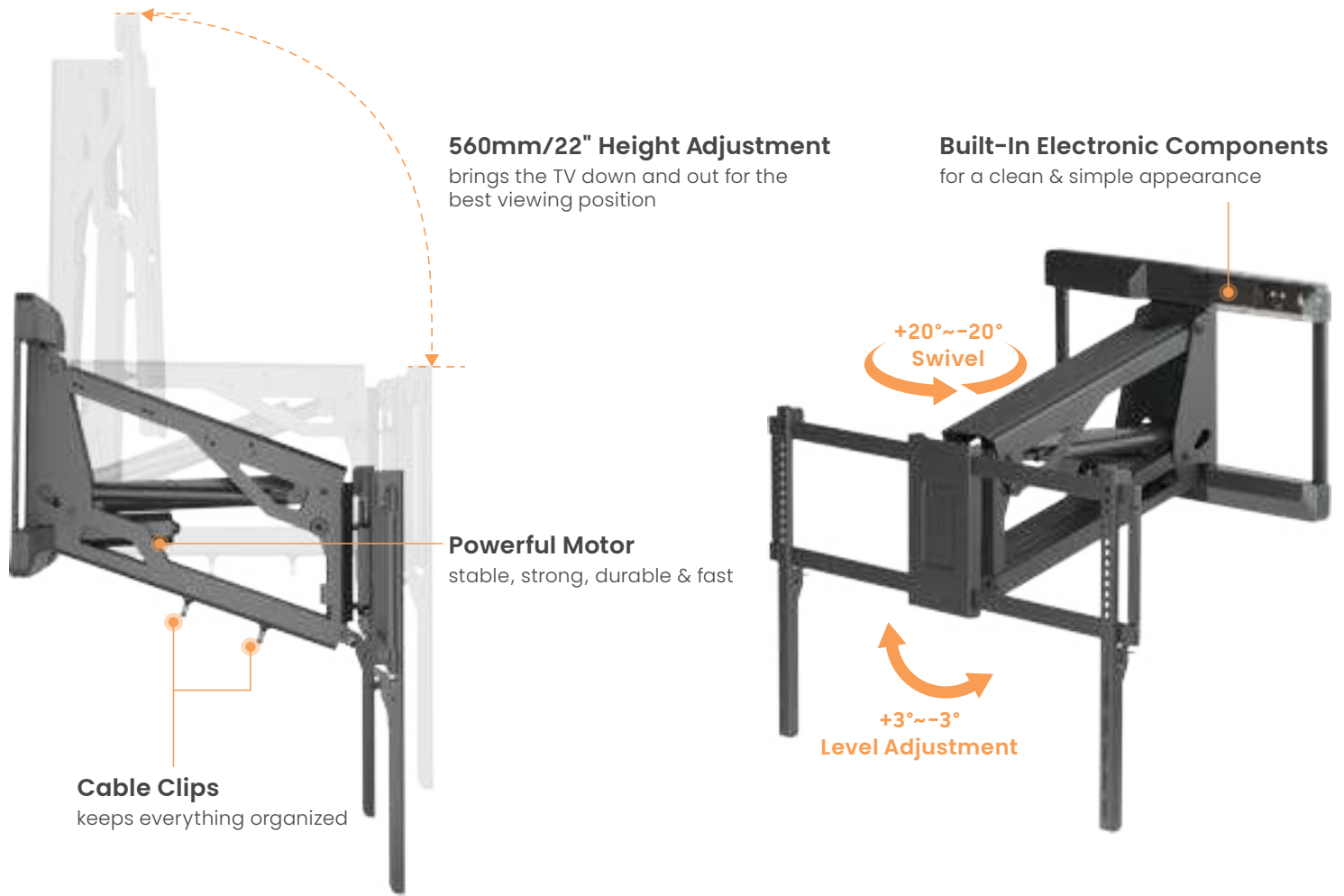
Amazon Alexa
Google Home

Tuya APP

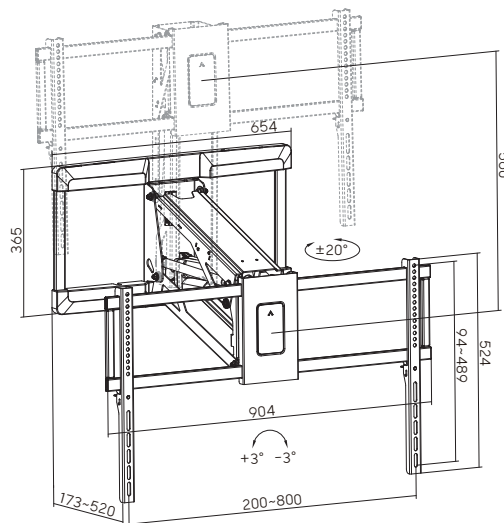
Remote Control



Smart Control, Elevated Life.



Dimensions (mm)



Item No.	HMD-709
Fit Screen Size	43"-90"
Weight Capacity	50kg/110lbs
Max. VESA	800x400
Profile	173-520mm(6.8"~20.5")
Power Supply	Input: AC 100~240V,50/60Hz; Output: DC 24V, 2.5A