

# HMD-1516

MODERN TV FLOOR STAND

hamood



## Material

Steel, Plastic



## Color

Black



## Weight Capacity

35 Kg (77lbs)



## VESA Compatible

100x100, 200x100, 200x200,  
300x200, 300x300, 400x200,  
400x400



## TV Screen Size

37"-65"



## Swivel Range

+50°~-50°

<https://hamoodtv.com>

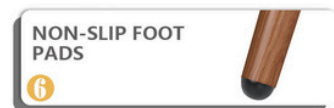
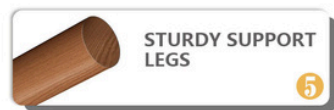
# HMD-1516

MODERN TV FLOOR STAND



## Perfect Home & Office TV Floor Stand: The Ultimate Solution for Your Entertainment Setup!

### PRODUCT FEATURES



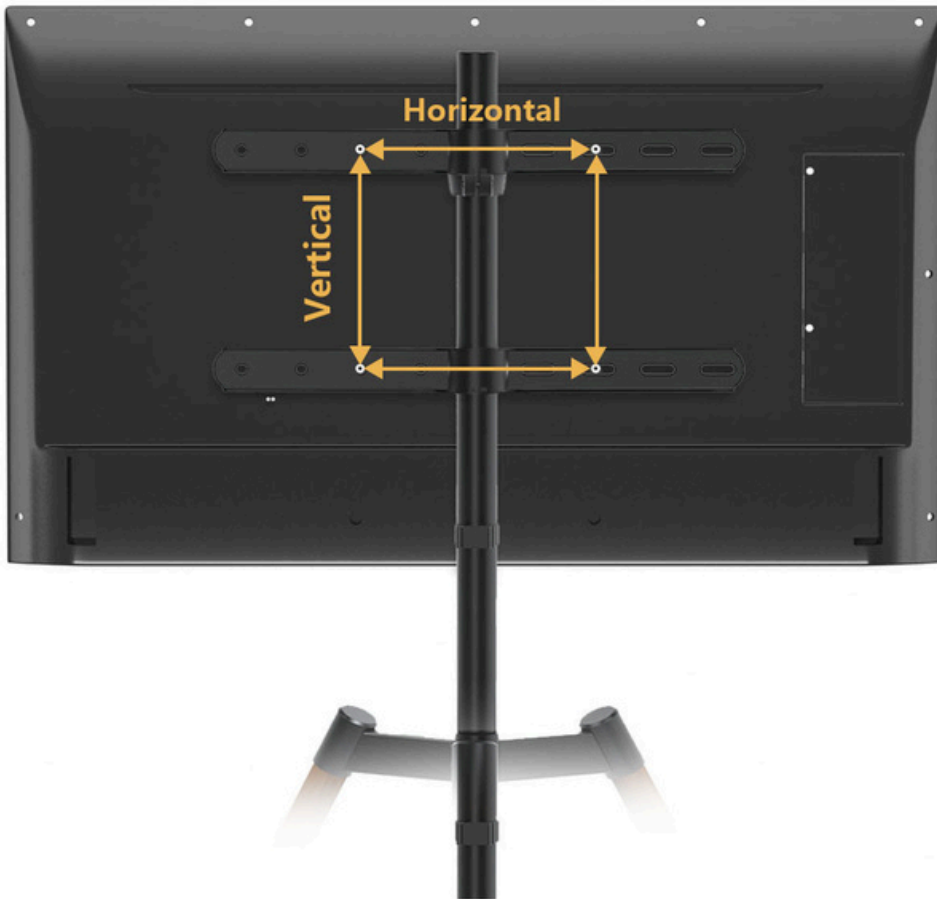
# HMD-1516

MODERN TV FLOOR STAND



## WHAT ELSE YOU NEED?

Elevate your home entertainment experience with our high-quality MODERN TV FLOOR STAND.



### VESA (mm)

#### Horizontal × Vertical

100 x 100

200 x 100

200 x 200

300 x 200

300 x 300

400 x 200

400 x 300

400 x 400

100mm ≈ 4"

200mm ≈ 7.9"

300mm ≈ 11.8"

400mm ≈ 15.7"

### Screws for TV

M4 x 14mm



M6 x 12mm



M8 x 16mm



Φ16 x 22mm



M4 x 30mm



M6 x 35mm



M8 x 50mm



Φ16 x 5mm



30 x 18.5 x 1.8mm



# HMD-1516

MODERN TV FLOOR STAND

hamood

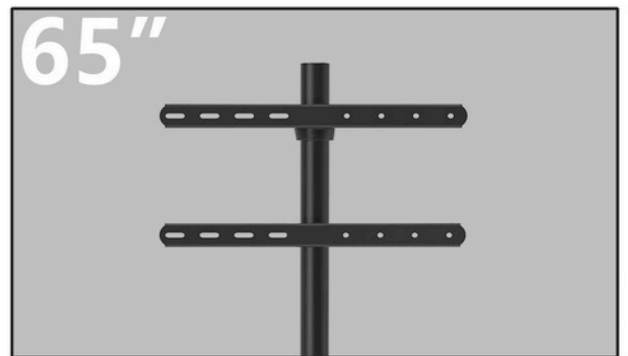
## FEATURES

Elevate your home entertainment experience with our high-quality MODERN TV FLOOR STAND.



-  **Our Alloy Steel Legs**
-  **Wider Safety Base**
-  **Corrosion Resistant**

-  **Other Wooden Legs**
-  **Narrow Base**
-  **Easily Corroded**



# HMD-1516

## MODERN TV FLOOR STAND

hamood

**Product Category:** TV FLOOR Stand

**Color:** Black

**Description:**

Elevate your viewing experience with our versatile TV floor stand, designed to support TV screen sizes ranging from 37" to 65". With its robust construction and sleek design, this stand ensures both stability and style for your home entertainment setup.



## FEATURES

- **Screen Compatibility:** Accommodates TV screen sizes from 37" to 65", ensuring a perfect fit for various models.
- **VESA Compatibility:** Supports VESA mounting patterns from 100x100, 200x100, 200x200, 300x200, 300x300, 400x200, 400x400, offering flexible installation options.
- **Weight Capacity:** Built to hold TVs up to 35 Kg (77lbs), this stand ensures your television is securely mounted, offering peace of mind and durability.
- **Swivel Range:** Experience flexible viewing with a generous swivel range of +50° to -50°. Adjust your TV to the perfect angle viewing from anywhere in the room.
- **Cable Management:** Integrated cable management system to keep your entertainment area neat and organized.

Upgrade your living space with a TV Floor Stand that merges style, durability, and convenience. Experience the perfect blend of practicality and elegance, making your TV viewing experience more enjoyable and comfortable.

<https://hamoodtv.com>