

# HMD-1520

MODERN TABLETOP TV STAND

hamood



**Material**  
Steel, Plastic



**Weight Capacity**  
40kg (88lbs)



**Fit Screen Size**  
55"



**Color**  
Matte Black



**VESA Compatible**  
100x100, 200x100, 200x200,  
300x200, 300x300, 400x200,  
400x300, 400x400



**TV Bracket Height**  
22"-26"

<https://hamoodtv.com>

# HMD-1520

MODERN TABLETOP TV STAND



## WHAT ELSE YOU NEED?

Elevate your home entertainment experience with our high-quality Tabletop TV Stand.

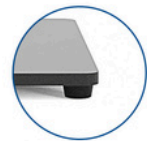
### Benefits of TV Stand



**SAFETY LOCK**  
Prevent TV from Dropping

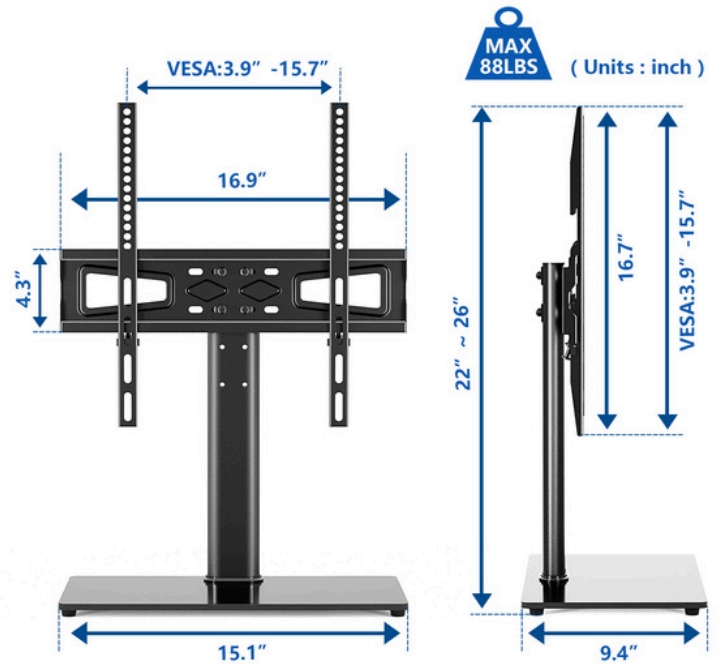


**TEMPERED GLASS**  
Safe and Stable



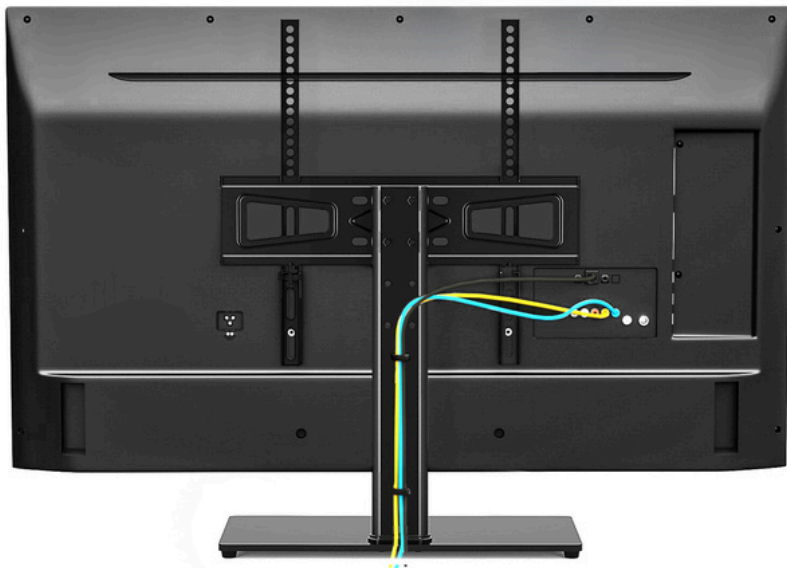
**NON-SLIP PAD**  
Keep stand and protect your furniture

### Product Dimension



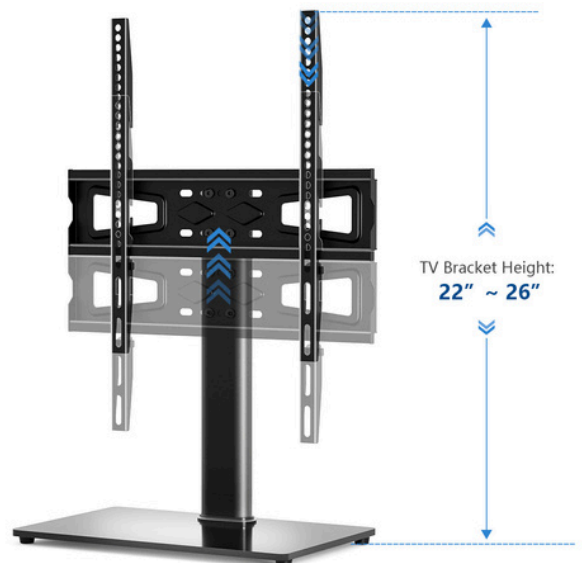
### Integrated Cable Management

Keep Wires Tidy



### Height Adjustment

Fit for Different Viewing Height or TV Sizes

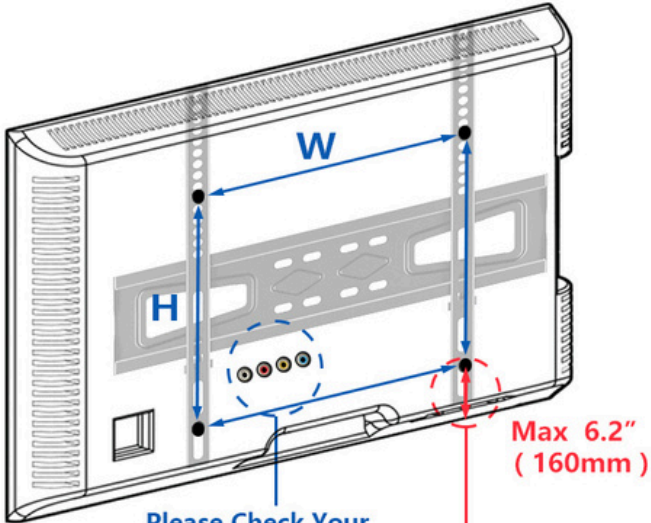


# HMD-1520

MODERN TABLETOP TV STAND

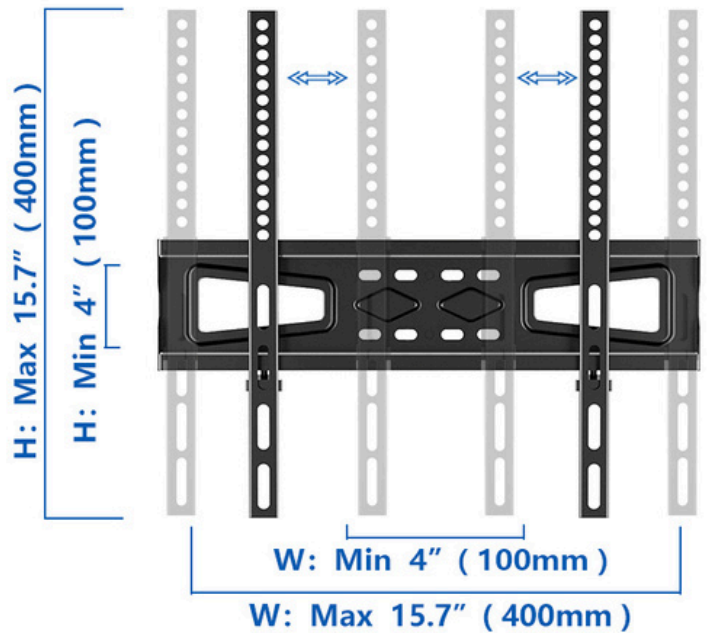


## Check Before Buy



Please Check Your TV's Input Area first  
It May Be Blocked By The Mount

Please Check The Distance In Red Color Above,  
Make Sure It Should Be **Smaller Than 6.2" /160mm**



### VESA Patterns

W x H

100 x 100 mm	100 mm	≈	4.0"
200 x 100 mm	200 mm	≈	7.9"
200 x 200 mm	300 mm	≈	11.8"
300 x 200 mm	400 mm	≈	15.7"
300 x 300 mm			
400 x 200 mm			
400 x 300 mm			
400 x 400 mm			

### Screws for TV



Perfect Table TV Stand: The Ultimate Solution for Your Entertainment Setup!

# HMD-1520

## MODERN TABLETOP TV STAND



**Product Category:** Tabletop TV Stand

**Color:** Matte Black

### Description:

Introducing our robust and stylish TV Tabletop Stand, designed to support 55-inch screens with ease. This stand offers the perfect combination of functionality and modern aesthetics, ensuring an enhanced viewing experience.



## FEATURES

- **VESA Compatibility:** Supports VESA patterns of 100x100, 200x100, 200x200, 300x200, 300x300, 400x200, 400x300, and 400x400, ensuring a perfect fit for a variety of TV models.
- **TV Bracket Height:** Adjustable bracket height ranging from 22" to 26" to suit your viewing preferences.
- **Weight Capacity:** Strong and reliable, it can support TVs up to 40kg (88lbs), providing a sturdy and stable platform.
- **Height Adjustable:** Customize the stand's height for optimal viewing comfort.
- **Cable Management:** Integrated cable management system to keep your entertainment area neat and organized.

Elevate your home entertainment experience with our high-quality Tabletop TV Stand HAM 1520. Combining functionality, style, and durability, it's the perfect addition to any room and a must-have for your TV setup.