

HMD-1517

MODERN TV FLOOR STAND

hamood



Material
Steel, Plastic



Color
White



Weight Capacity
35 Kg (77lbs)



VESA Compatible
100x100, 200x100, 200x200,
300x200, 300x300, 400x200,
400x300, 400x400



Fit Screen Size
32"-75"



Swivel Range
+50°~-50°

<https://hamoodtv.com>

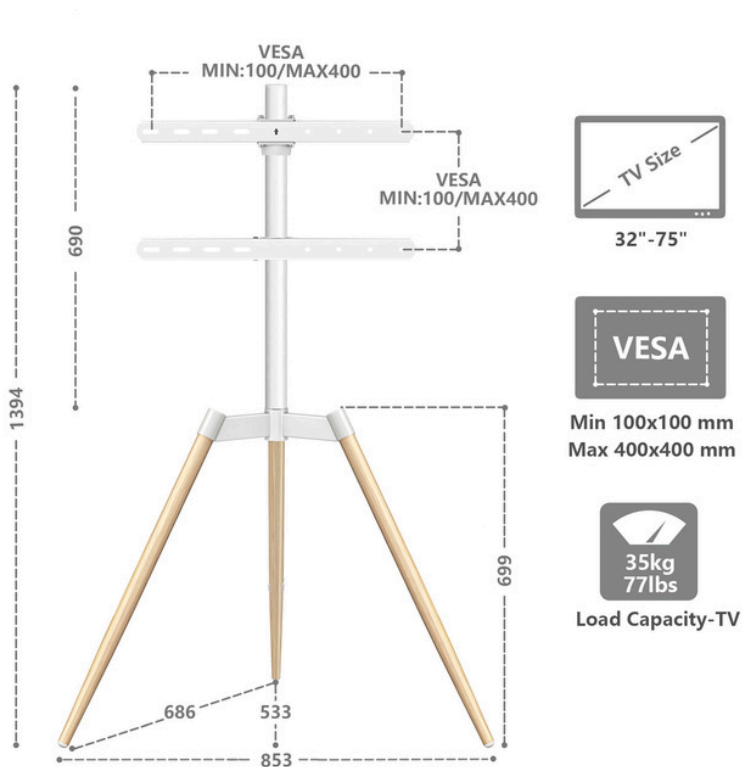
HMD-1517

MODERN TV FLOOR STAND



WHAT ELSE YOU NEED?

Elevate your home entertainment experience with our high-quality MODERN TV FLOOR STAND.



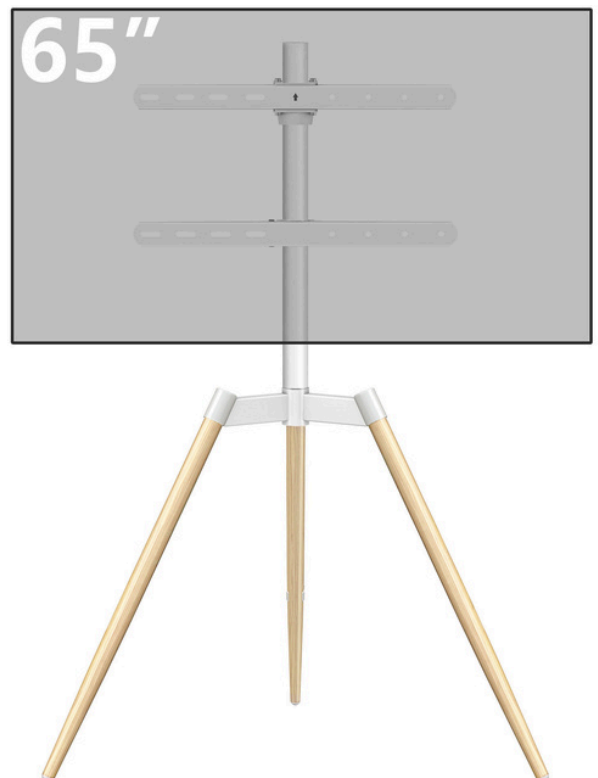
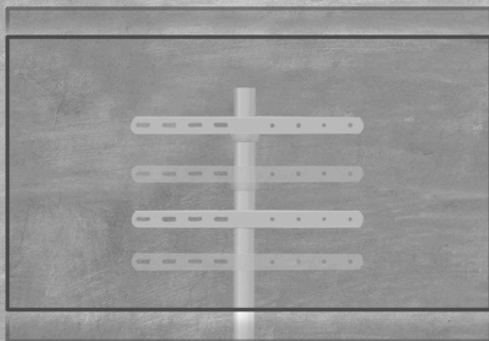
PRODUCT FEATURES



- 1 HEIGHT ADJUSTMENT
- 2 ±50° OF SWIVEL
- 3 CABLE MANAGEMENT
- 4 SOLID TRIANGULAR STRUCTURE
- 5 STURDY SUPPORT LEGS
- 6 NON-SLIP FOOT PADS

HEIGHT ADJUSTABLE

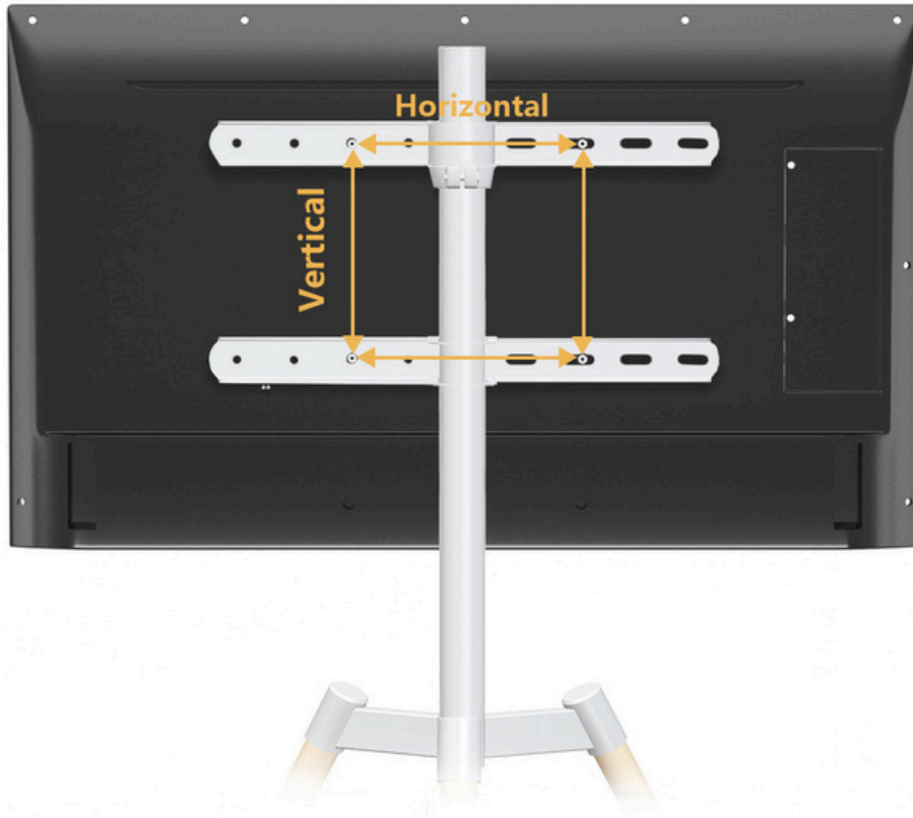
Height Adjustable Along 27.2" Pole



HMD-1517

MODERN TV FLOOR STAND

hamood



VESA (mm)
Horizontal × Vertical
100 x 100
200 x 100
200 x 200
300 x 200
300 x 300
400 x 200
400 x 300
400 x 400
100mm ≈ 4"
200mm ≈ 7.9"
300mm ≈ 11.8"
400mm ≈ 15.7"

Screws for TV

M4 x 14mm



M6 x 12mm



M8 x 16mm



Φ16 x 22mm



M4 x 30mm



M6 x 35mm



M8 x 50mm



Φ16 x 5mm



30 x 18.5 x 1.8mm



Perfect Home & Office TV Floor Stand: The Ultimate Solution for Your Entertainment Setup!

<https://hamoodtv.com>

HMD-1517

MODERN TV FLOOR STAND

hamood



High-Quality Wood



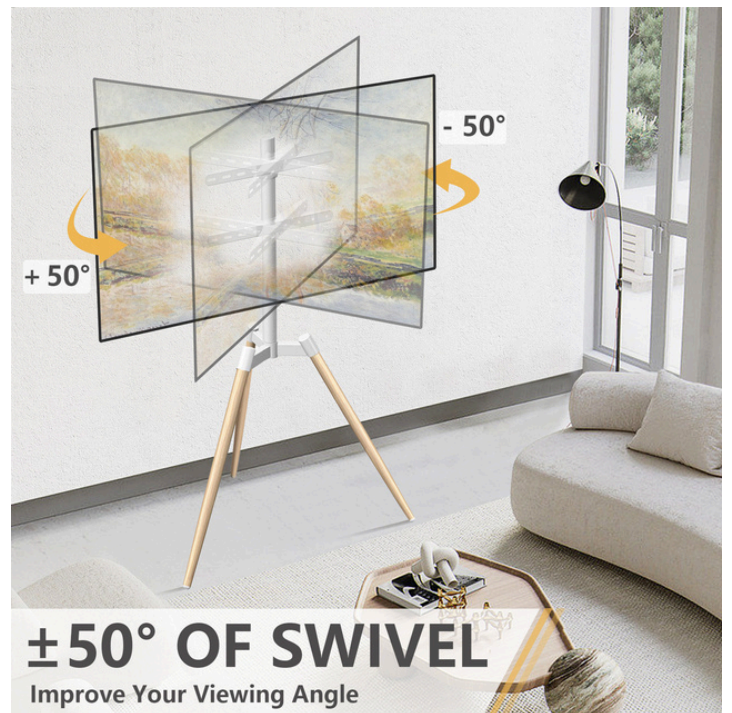
Artistic
Appearance



Easy for
Clean



Stable and
Sturdy



±50° OF SWIVEL
Improve Your Viewing Angle

<https://hamoodtv.com>

HMD-1517

MODERN TV FLOOR STAND

hamood

Product Category: TV FLOOR Stand

Color: White

Description:

Introducing our sleek and modern TV Floor Stand in a sophisticated white finish, designed to complement any room decor. This stand is perfect for TV screens ranging from 32 to 75 inches, offering both style and practicality.



FEATURES

- **VESA Compatibility:** Supports VESA patterns of 100x100, 200x100, 200x200, 300x200, 300x300, 400x200, 400x300, and 400x400, ensuring a secure fit for a variety of TV models.
- **Weight Capacity:** Sturdy and reliable, it can support TVs up to 35 Kg (77 lbs).
- **Swivel Range:** Enjoy versatile viewing angles with a swivel range of +50° to -50°, allowing you to adjust your TV to the perfect position.
- **Height Adjustable:** Customize the stand's height to suit your viewing preferences for maximum comfort.
- **Cable Management:** Integrated cable management system to keep your entertainment area neat and organized.

Enhance your viewing experience with our high-quality TV Floor Stand. Combining style, stability, and functionality, it's the perfect addition to any room.