

HMD-1513

MODERN TV FLOOR STAND

hamood



Material
Steel, Plastic



Weight Capacity
60 Kg (132lbs)



Fit Screen Size
32"-75"



Color
Black



VESA Compatible
100x100, 200x100, 200x200,
300x200, 300x300, 400x200,
400x300, 400x400, 600x400,
660x400

<https://hamoodtv.com>

HMD-1513

MODERN TV FLOOR STAND

hamood

WHAT ELSE YOU NEED?

Elevate your home entertainment experience with our high-quality MODERN TV FLOOR STAND.

OURS

MAX 75"



Max: 60kg/132lbs



Strong and Durable



Non-Slip Feet

OTHERS

MAX 70"



Max: 50kg/110lbs



Not Waterproof and Rot Easily



No Non-Slip Feet



SAFETY LOCK

Prevent TV Dropping
Giving Double Safety to Your TV



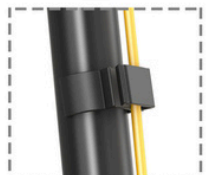
NON-SLIP FEET

Prevents Slipping and
Prevents Floor from Getting Scratched



CABLE MANAGEMENT

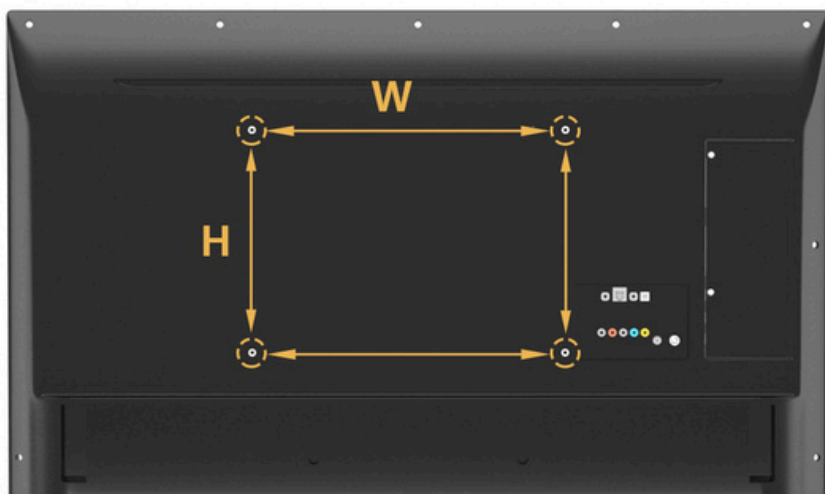
Keep Wires Organized and Neat



<https://hamoodtv.com>

Perfect Home & Office TV Floor Stand: The Ultimate Solution for Your Entertainment Setup!

VESA Patterns



$$VESA = W \times H$$

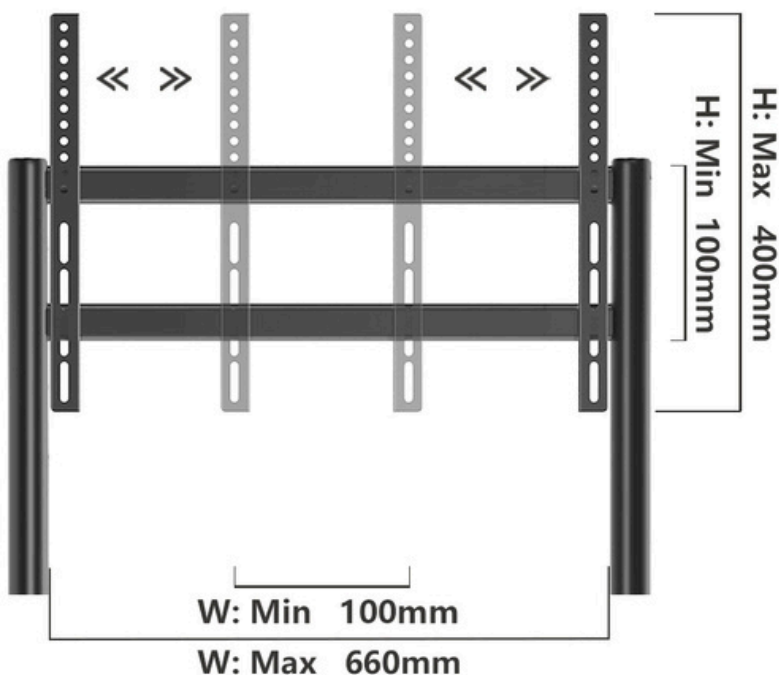
VESA refers to the distance between the 4 screw holes on the back of the TV set.

VESA RANGE

W x H

100x100mm <input checked="" type="checkbox"/>	400x200mm <input checked="" type="checkbox"/>
200x100mm <input checked="" type="checkbox"/>	400x300mm <input checked="" type="checkbox"/>
200x200mm <input checked="" type="checkbox"/>	400x400mm <input checked="" type="checkbox"/>
300x200mm <input checked="" type="checkbox"/>	600x400mm <input checked="" type="checkbox"/>
300x300mm <input checked="" type="checkbox"/>	660x400mm <input checked="" type="checkbox"/>

100mm ≈ 4"	400mm ≈ 15.7"
200mm ≈ 7.9"	600mm ≈ 23.6"
300mm ≈ 11.8"	660mm ≈ 25.9"



HMD-1513

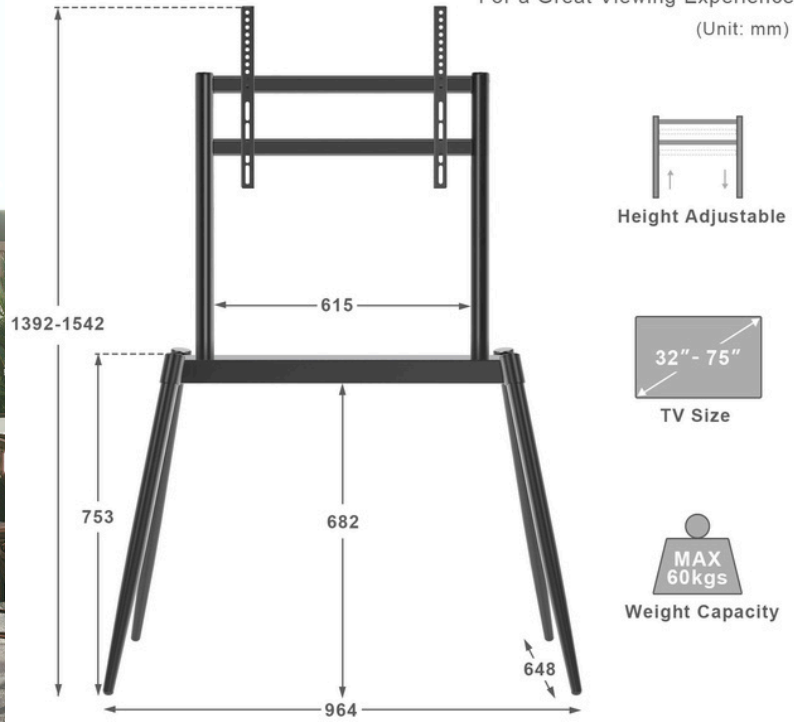
MODERN TV FLOOR STAND

hamood



PRODUCT DIMENSION

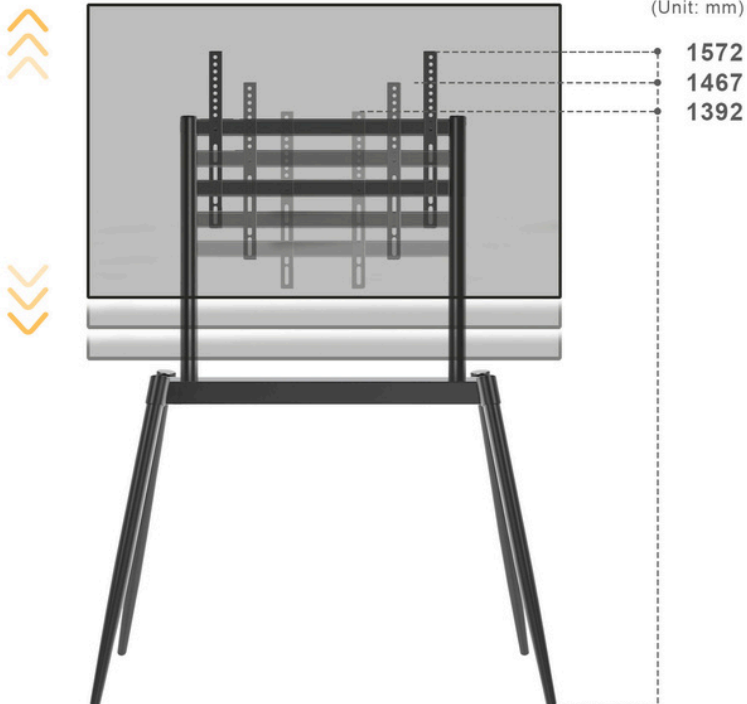
For a Great Viewing Experience
(Unit: mm)



HEIGHT ADJUSTABLE

For a Great Viewing Experience

(Unit: mm)



HMD-1513

MODERN TV FLOOR STAND

hamood

Product Category: TV FLOOR Stand

Color: Black

Description:

Introducing our elegant and modern TV Floor Stand in a pristine black finish, designed to enhance any room decor. This stand is perfect for TV screens ranging from 32 to 75 inches, combining style and practicality for a superior viewing experience.



FEATURES

- **VESA Compatibility:** Supports a wide range of VESA patterns, including 100x100, 200x100, 200x200, 300x200, 300x300, 400x200, 400x300, 400x400, 600x400, and 660x400, ensuring a secure fit for various TV models.
- **Weight Capacity:** Built to support TVs up to 60 Kg (132 lbs), providing a sturdy and stable platform.
- **Height Adjustable:** Offers height adjustability to suit your viewing preferences and ensure maximum comfort.
- **Cable Management:** Integrated cable management system to keep your entertainment area neat and organized.

Enhance your viewing experience with our high-quality TV Floor Stand. Combining style, stability, and functionality, it's the perfect addition to any room.