

# HMD-1509

MODERN TV FLOOR STAND

hamood



**Material**  
Steel, Plastic



**Color**  
Black



**Weight Capacity**  
40kg (88lbs)



**VESA Compatible**  
100x100, 200x100, 200x200,  
300x200, 300x300, 400x200,  
400x400



**TV Screen Size**  
35"-51"



**Swivel Range**  
+90°~-90°



**Stand Height**  
53"

<https://hamoodtv.com>

# HMD-1509

MODERN TV FLOOR STAND

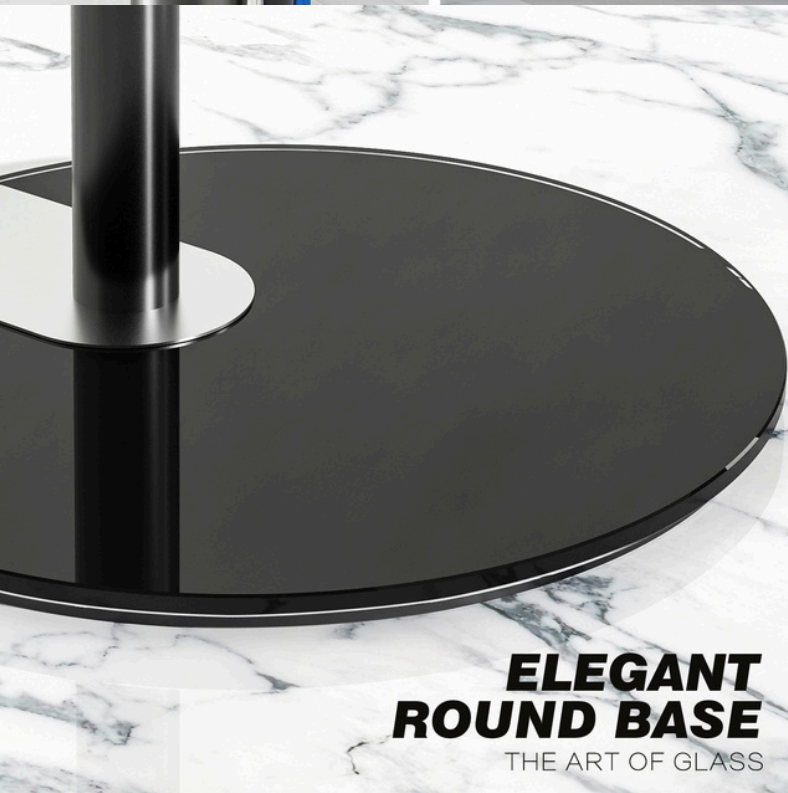
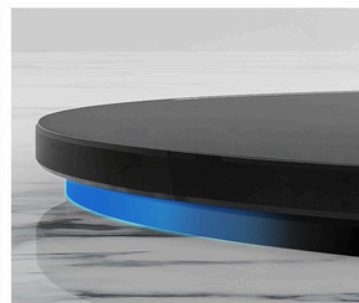
hamood

## Perfect Home & Office TV Floor Stand: The Ultimate Solution for Your Entertainment Setup!



**CABLE MANAGEMENT**

**NON-SLIP MAT**



# HMD-1509

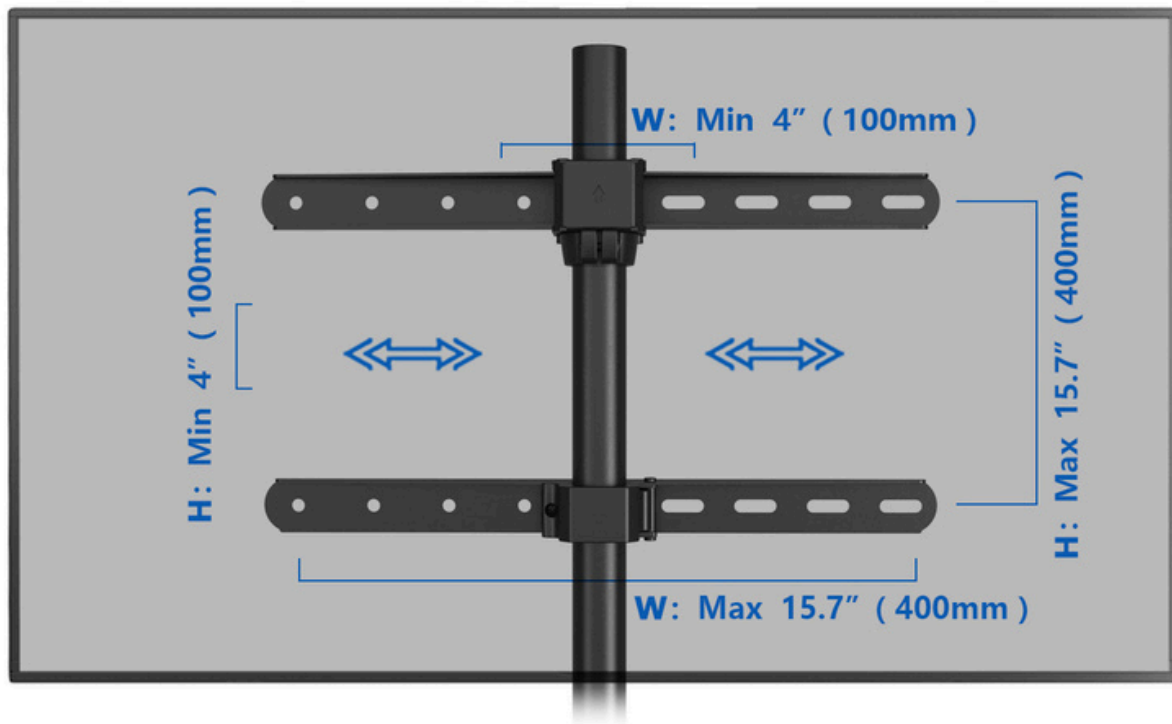
MODERN TV FLOOR STAND



## WHAT ELSE YOU NEED?

Elevate your home entertainment experience with our high-quality MODERN TV FLOOR STAND.

## TV COMPATIBILITY



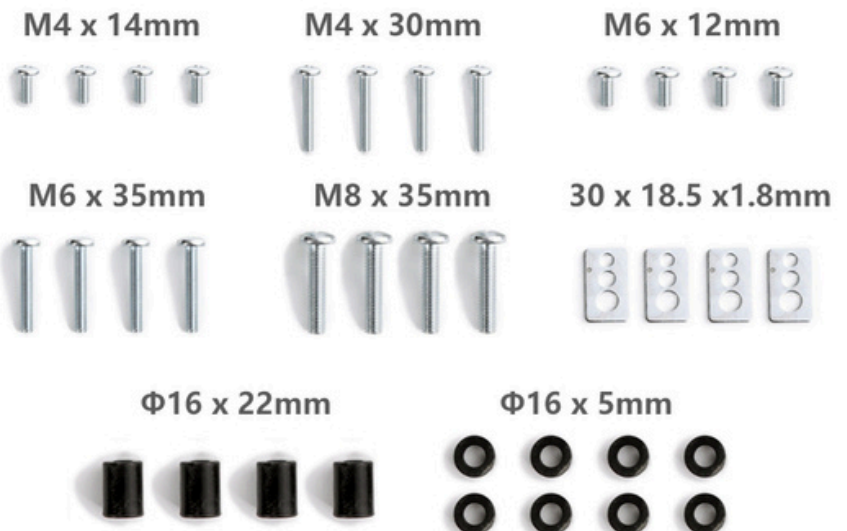
### VESA Patterns

W x H

100 x 100 mm	300 x 300 mm
200 x 100 mm	400 x 200 mm
200 x 200 mm	400 x 300 mm
300 x 200 mm	400 x 400 mm

100 mm ≈ 4.0"	300 mm ≈ 11.8"
200 mm ≈ 7.9"	400 mm ≈ 15.7"

### Screws for TV



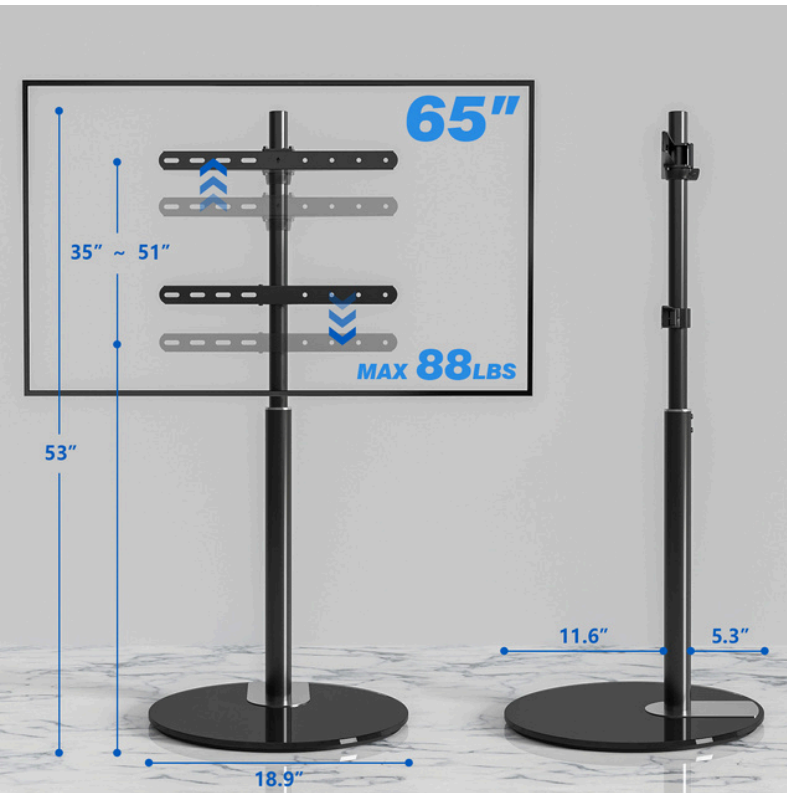
# HMD-1509

MODERN TV FLOOR STAND

hamood

## FEATURES

Elevate your home entertainment experience with our high-quality MODERN TV FLOOR STAND.



<https://hamoodtv.com>

# HMD-1509

## MODERN TV FLOOR STAND

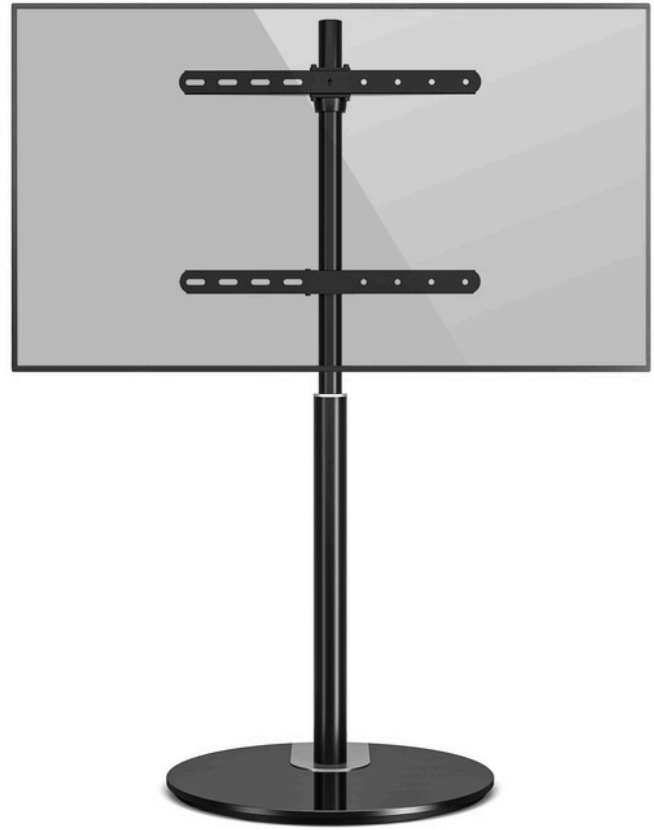
hamood

**Product Category:** TV FLOOR Stand

**Color:** Black

**Description:**

Elevate your viewing experience with our versatile TV floor stand, designed to support TV screen sizes ranging from 35" to 51". With its robust construction and sleek design, this stand ensures both stability and style for your home entertainment setup.



## FEATURES

- **Screen Compatibility:** Accommodates TV screen sizes from 35" to 51", ensuring a perfect fit for various models.
- **VESA Compatibility:** Supports VESA mounting patterns from 100x100, 200x100, 200x200, 300x200, 300x300, 400x200, 400x400, offering flexible installation options.
- **Weight Capacity:** Built to hold TVs up to 40kg (88lbs), this stand ensures your television is securely mounted, offering peace of mind and durability.
- **TV Stand Height:** Adjustable height to 53", allowing you to achieve the ideal viewing angle and setup for any room.
- **Swivel Range:** Experience flexible viewing with a generous swivel range of +90° to -90°. Adjust your TV to the perfect angle viewing from anywhere in the room.
- **Cable Management:** Integrated cable management system to keep your entertainment area neat and organized.

Upgrade your living space with a TV Floor Stand that merges style, durability, and convenience. Experience the perfect blend of practicality and elegance, making your TV viewing experience more enjoyable and comfortable.