

HMD-1507

MODERN TV FLOOR STAND

hamood



Material
Steel, Plastic



Color
Black



Weight Capacity
35kg (77lbs)



VESA Compatible
100x100, 200x100, 200x200,
300x200, 300x300, 400x200,
400x400



TV Screen Size
26"-65"



Swivel Range
+30°~-30°



Stand Height
42"~53"

<https://hamoodtv.com>

HMD-1507

MODERN TV FLOOR STAND



Perfect Home & Office TV Floor Stand: The Ultimate Solution for Your Entertainment Setup!

Product Details



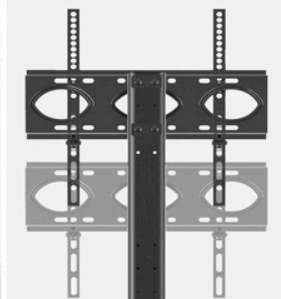
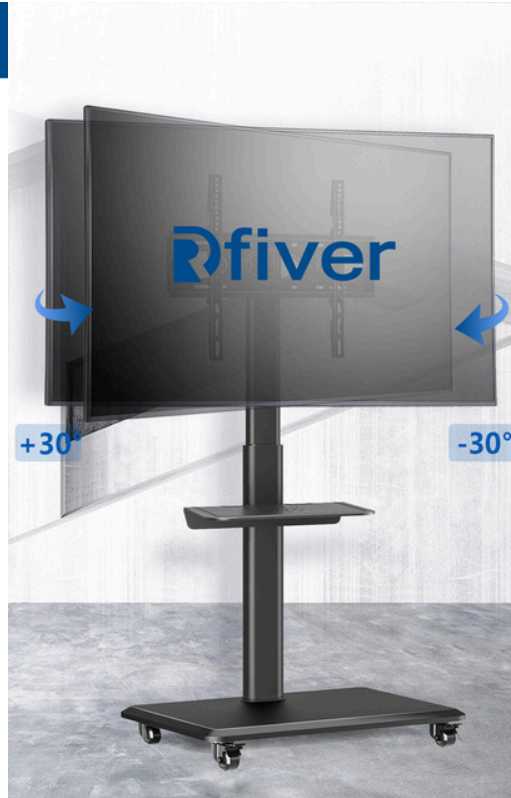
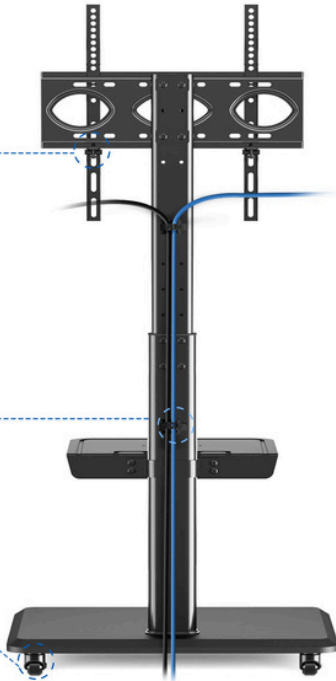
SAFETY LOCK
Prevent TV Dropping



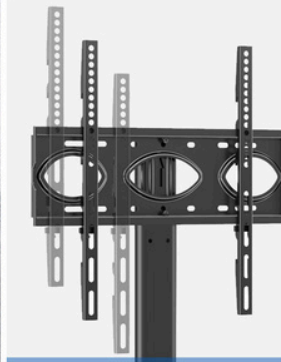
CABLE MANAGEMENT
Say Goodbye to Mess



LOCKABLE CASTOR
Flexible & Safe



6 Levels of Height Adjustment



3 Levels of Height Adjustment



WOOD
more sturdy & safe



FIX WITH SCREW



GLASS
fragile



FALL DOWN AND BROKE

HMD-1507

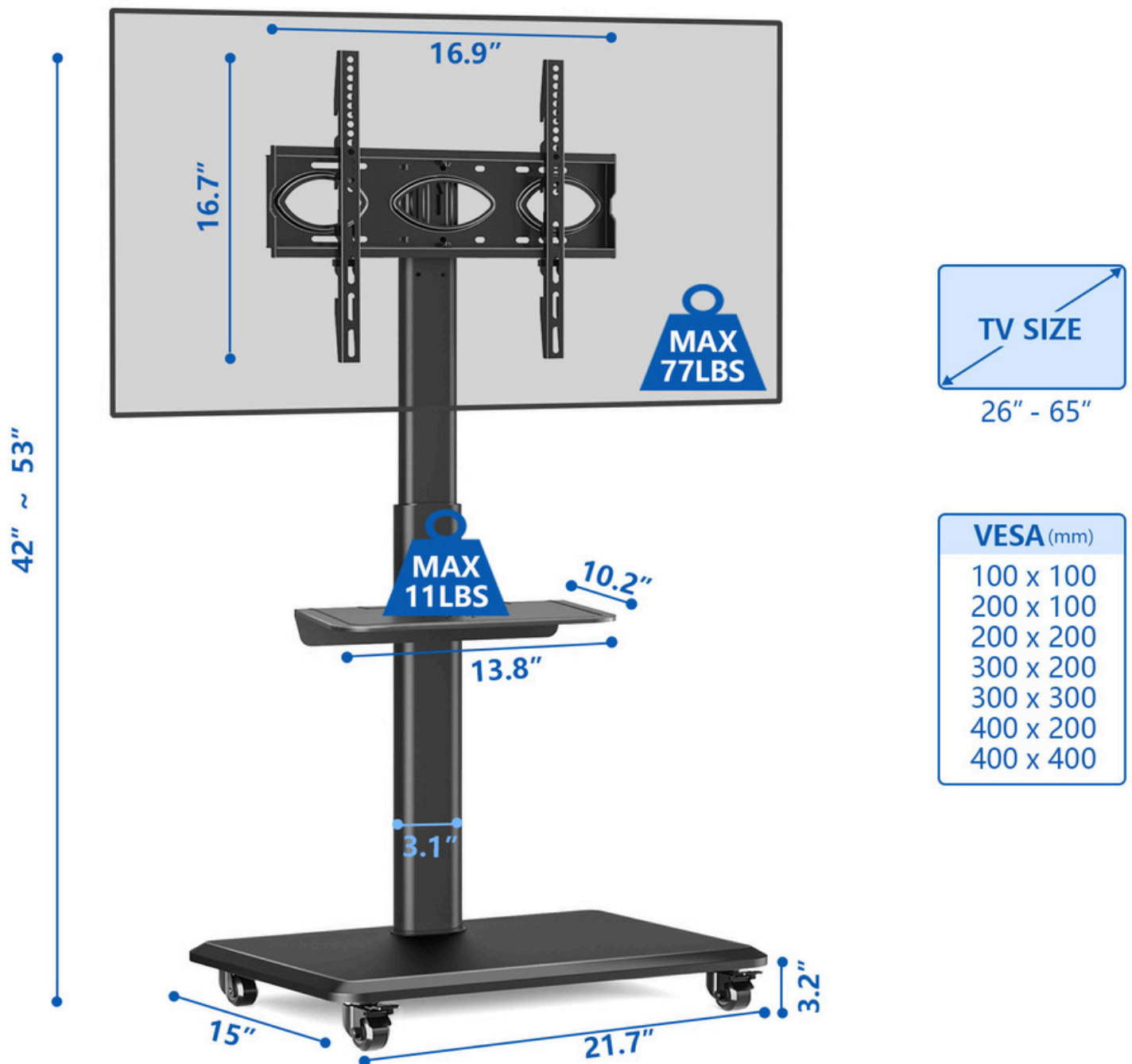
MODERN TV FLOOR STAND



WHAT ELSE YOU NEED?

Elevate your home entertainment experience with our high-quality MODERN TV FLOOR STAND.

Product Details



HMD-1507

MODERN TV FLOOR STAND



FEATURES

Elevate your home entertainment experience with our high-quality MODERN TV FLOOR STAND.



HMD-1507

MODERN TV FLOOR STAND



Product Category: TV FLOOR Stand

Color: Black

Description:

Introducing our versatile and sturdy TV Floor Stand, perfect for TV screens ranging from 26 to 65 inches. This stand combines style, flexibility, and practicality to enhance your viewing experience.



FEATURES

- **Screen Compatibility:** Accommodates TV screen sizes from 26" to 65", ensuring a perfect fit for various models.
- **VESA Compatibility:** Supports VESA mounting patterns from 100x100, 200x100, 200x200, 300x200, 300x300, 400x200, 400x400, offering flexible installation options.
- **Mount Capacity:** Designed to hold TVs up to 35kg (77lbs), providing sturdy and reliable support.
- **TV Stand Height:** Adjustable height from 42" to 53", allowing you to achieve the ideal viewing angle and setup for any room.
- **Swivel Range:** Enjoy dynamic viewing flexibility with a swivel range of +30° to -30°, allowing you to adjust your screen to the perfect angle.
- **Additional Shelf:** Equipped with a shelf that can hold accessories up to a maximum weight of 5kg (11lbs).
- **Cable Management:** Integrated cable management system to keep your entertainment area neat and organized.

Upgrade your living space with a TV Floor Stand that merges style, durability, and convenience. Experience the perfect blend of practicality and elegance, making your TV viewing experience more enjoyable and comfortable.