

# HMD-1505

MODERN TV FLOOR STAND

hamood



**Material**  
Steel, Plastic



**Color**  
Black



**Weight Capacity**  
50kg (110lbs)



**VESA Compatible**  
100x100, 400x400



**TV Screen Size**  
32"-70"



**Shelf Capacity**  
5kg (11lbs)



**Stand Height**  
44"~50"



**Swivel Range**  
+30°~-30°

<https://hamoodtv.com>



# HMD-1505

MODERN TV FLOOR STAND

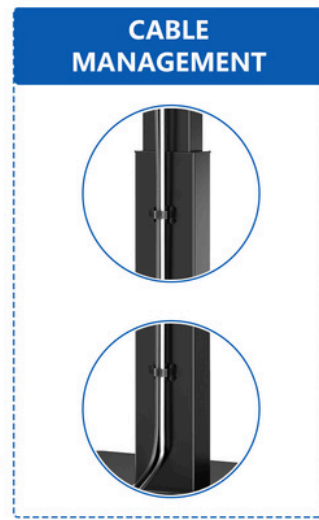


## Perfect Home & Office TV Floor Stand: The Ultimate Solution for Your Entertainment Setup!

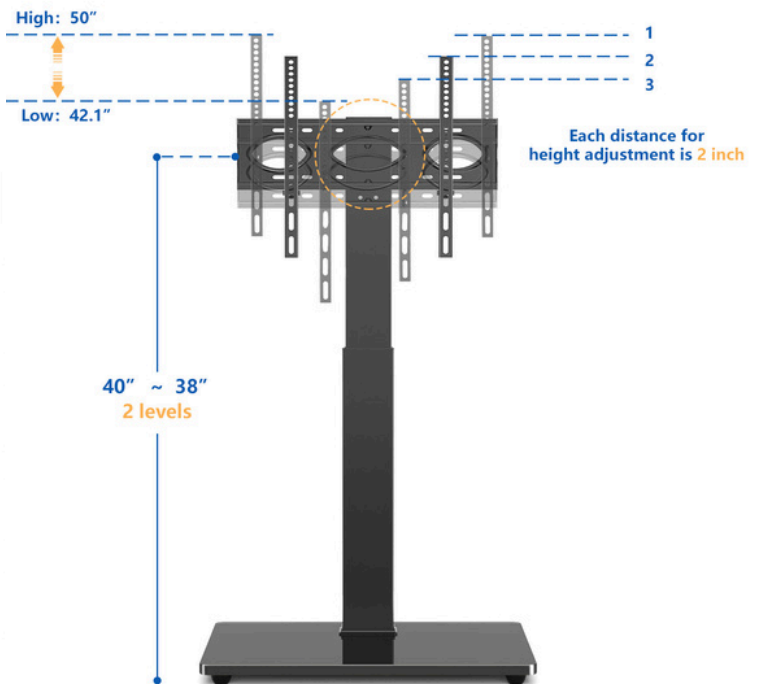


### CABLE MANAGEMENT

Efficient cable management keep neat and save space



### Height Adjustable



### Vesa Mount Swivel 60° for Wider Viewing Range



### SPACE SAVING DESIGN



THE TV STAND CAN BE USED ALONE OR SET UP BEHIND ENTERTAINMENT CENTER

# HMD-1505

MODERN TV FLOOR STAND

hamood

## WHAT ELSE YOU NEED?

Elevate your home entertainment experience with our high-quality MODERN TV FLOOR STAND.



SAFETY LOCK



ANTI-DROP DESIGN

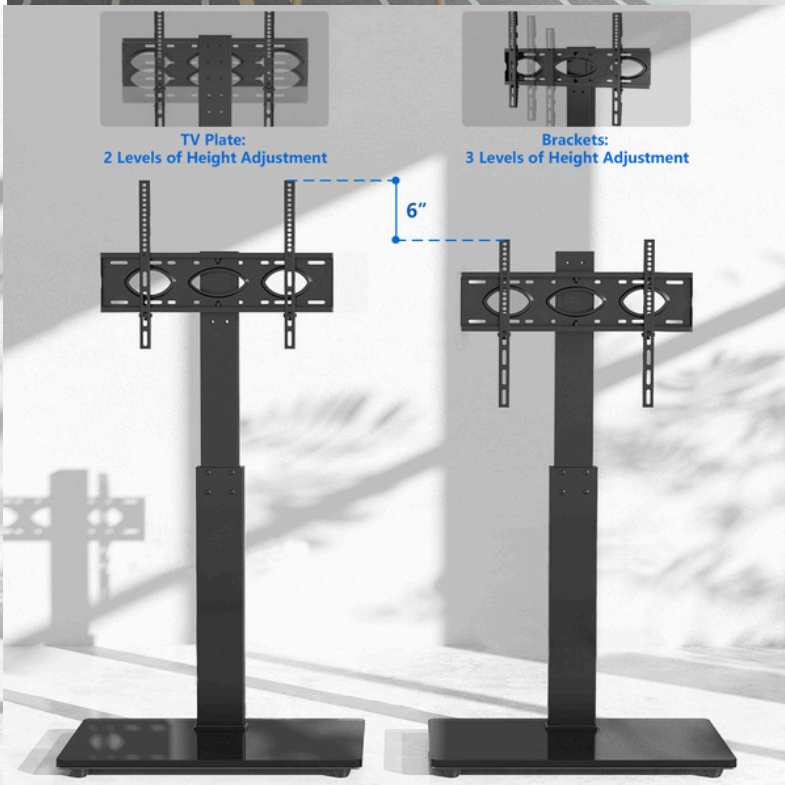
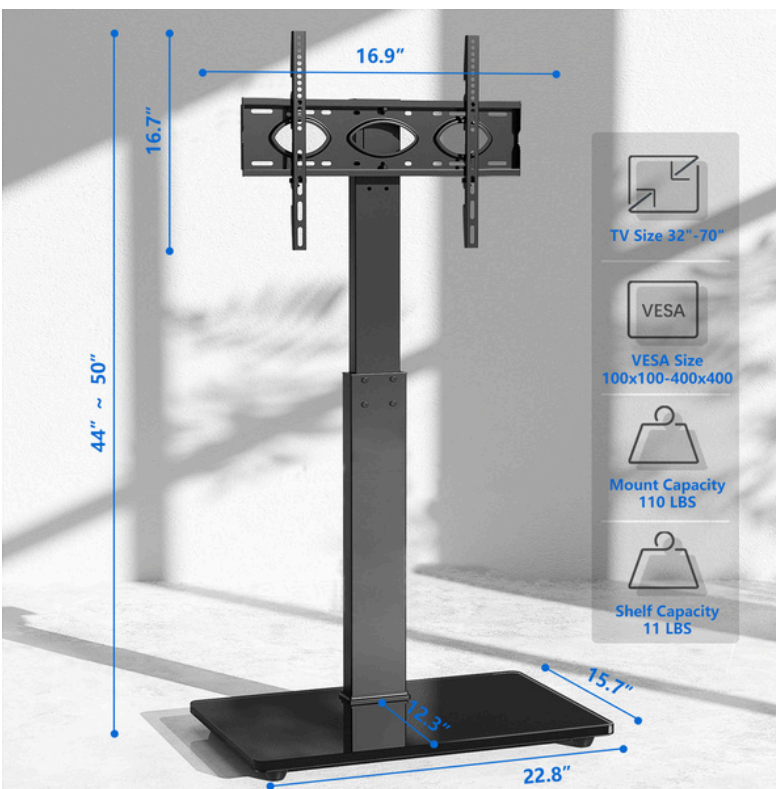


THICKLY MARGINED



NON-SLIP FEET

### Vesa Mount Swivel 60° for Wider Viewing Range





# HMD-1505

MODERN TV FLOOR STAND



## FEATURES

Elevate your home entertainment experience with our high-quality MODERN TV FLOOR STAND.

## Similar Product Comparison

The diagram compares three 'Others' TV stand options on the left with the 'Rfiver' TV stand on the right. The 'Others' section includes three dashed boxes: the top one shows a stand with a 43-inch height, the middle one shows a stand with a maximum height of 55 inches, and the bottom one shows a stand with no cable management. The 'Rfiver' stand is shown with a 50-inch height, a maximum height of 70 inches, and a circular inset showing a cable management feature. Orange double-headed arrows connect the 'Others' options to the 'Rfiver' stand, with text labels: 'MORE TALLER THAN OTHERS' (between 43 and 50 inches), 'UP TO 70 INCH' (between 55 and 70 inches), and 'MANAGER CABLE EASY AND CONVENIENT' (between 'NO CABLE MANAGEMENT' and the cable management inset).

**Others**

**Rfiver**

# HMD-1505

## MODERN TV FLOOR STAND

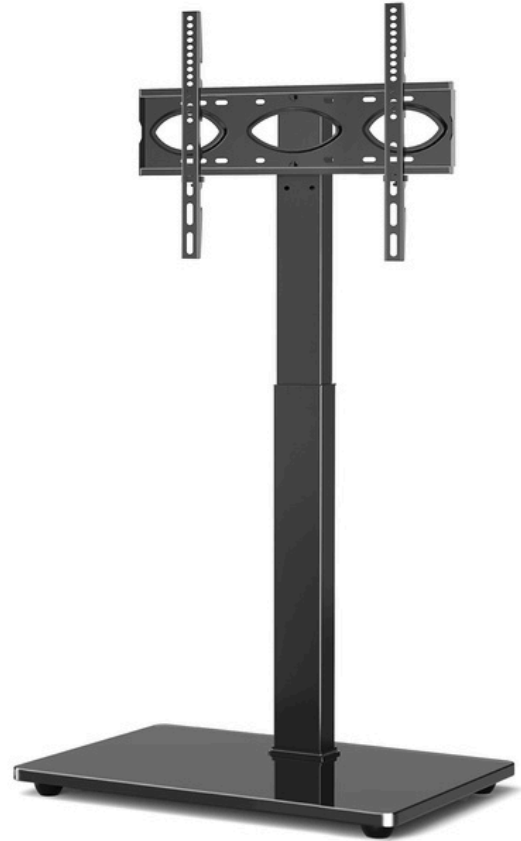
hamood

**Product Category:** TV FLOOR Stand

**Color:** Black

**Description:**

Introducing our versatile and sturdy TV Floor Stand, perfect for TV screens ranging from 32 to 70 inches. This stand combines style, flexibility, and practicality to enhance your viewing experience.



## FEATURES

- **Screen Compatibility:** Accommodates a wide range of TV screen sizes from 32" to 70", ensuring a perfect fit for various models.
- **VESA Compatibility:** Supports VESA mounting patterns from 100x100 to 400x400, offering flexible installation options.
- **Mount Capacity:** Designed to hold TVs up to 50kg (110lbs), providing sturdy and reliable support.
- **Shelf Capacity:** Includes an additional shelf with a capacity of 5kg (11lbs) for convenient placement of media devices or accessories.
- **TV Stand Height:** Adjustable height from 44" to 50" to achieve the perfect viewing angle and setup for any room.
- **Swivel Range:** Enjoy dynamic viewing flexibility with a swivel range of +30° to -30°, allowing you to adjust your screen to the perfect angle.
- **Cable Management:** Integrated cable management system to keep your entertainment area neat and organized.

Upgrade your living space with a TV Floor Stand that merges style, durability, and convenience. Experience the perfect blend of practicality and elegance, making your TV viewing experience more enjoyable and comfortable.