

# HMD-727

Height Adjustable Satellite Speaker Floor Stands

hamood



**Two-Piece Pole Design**  
for reduced shipping  
and storage costs

**Weighted Base**  
provides stability and reduces  
secondary sound vibrations

<https://hamoodtv.com>

# HMD-727

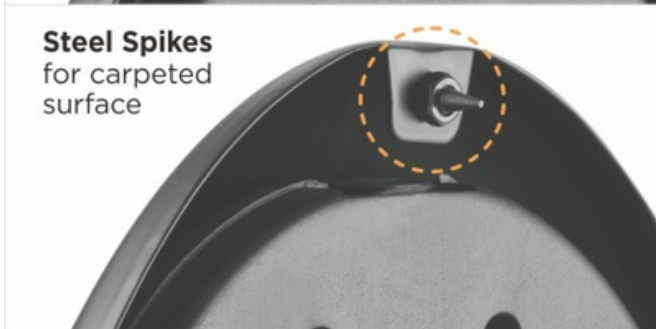
## Height Adjustable Satellite Speaker Floor Stands



**Hidden Cable Management**



**Rubber Pads**  
for solid surface



**Steel Spikes**  
for carpeted surface



**763-1036mm (30"-40.8")**

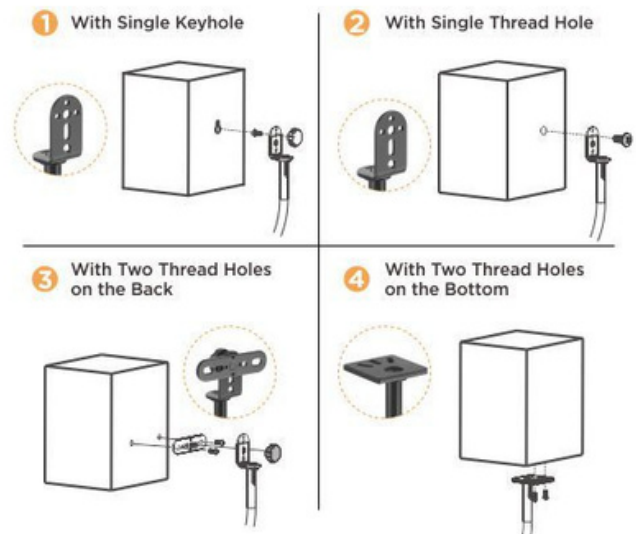
**Height Adjustable**

for an optimal sound experience

**Manual Clutch Release**

for easy height adjustments

### One Stand Fits Various Speakers



**Material**

Steel, Plastic



**Weight Capacity**

4.5kg (9.9lbs)



**Dimensions**

225x225x763~1036mm  
(8.9"x8.9"x30"~40.8")



**Height Range**

763~1036mm (30"~40.8")



**Speaker Hole Dimension**

M4, M5, 1/4"

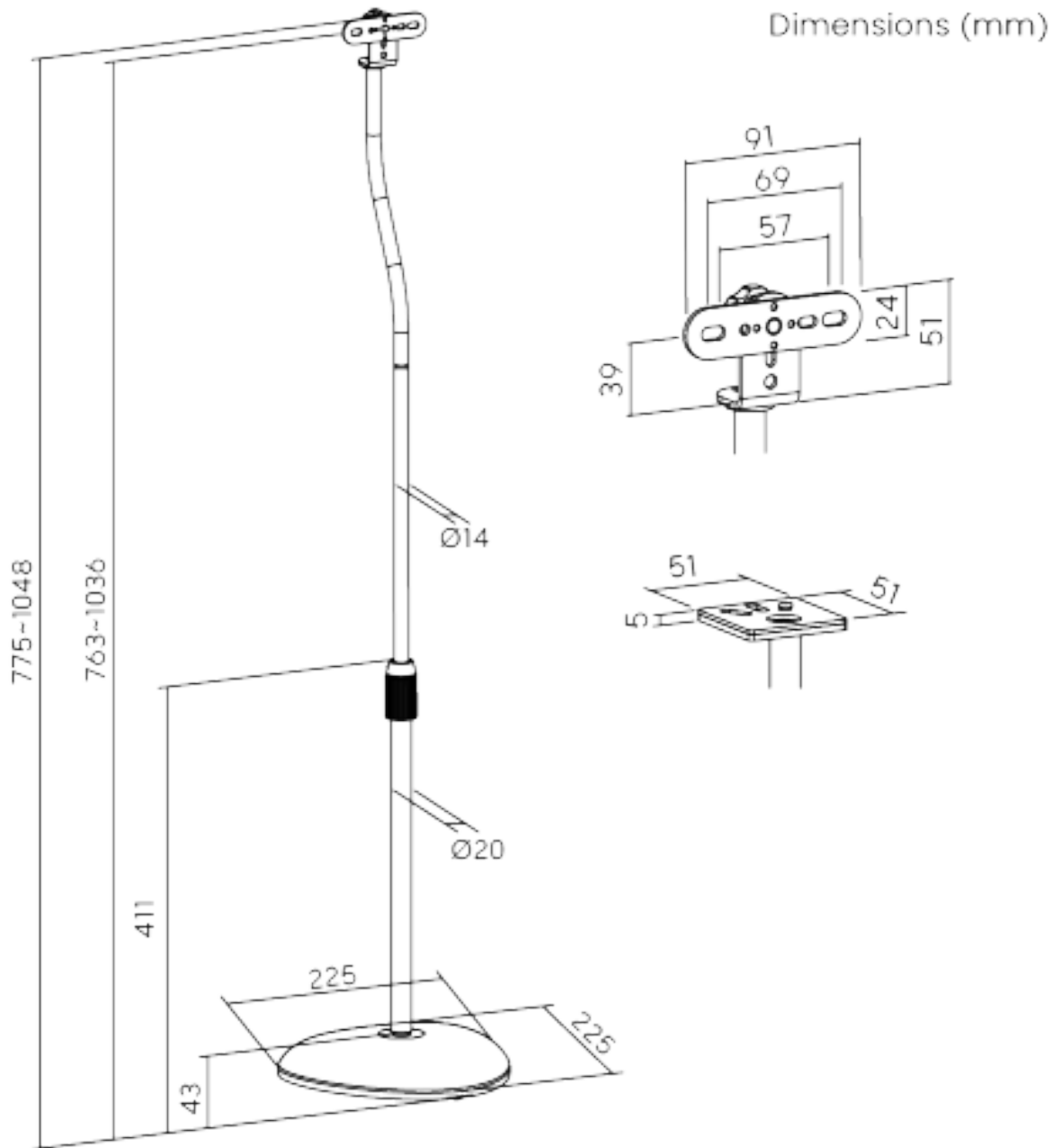


**Speaker Hole Pattern**

Double Hole Slot, Single Hole Slot,  
Key-hole Slot

# HMD-727

## Height Adjustable Satellite Speaker Floor Stands



## FEATURES

- Adjustable Height: puts the speaker at the ideal listening height
- Two-Piece Pole Design: for reduced shipping and storage costs
- Weighted Base: ensures stability and reduces secondary sound vibrations
- Carpet Spikes: provide a solid foundation on most any surface
- Manual Release: for easy height adjustments
- Internal Cable Routing: cable management integrated in column keeps cables concealed and organized
- Rubber Pads: prevent slippery and floor-scratching