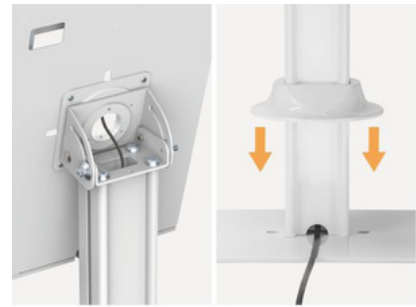


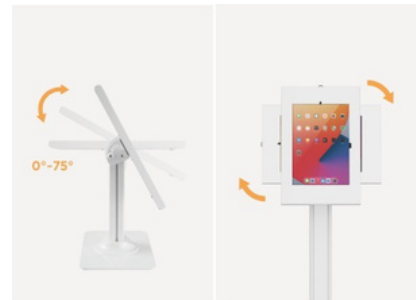
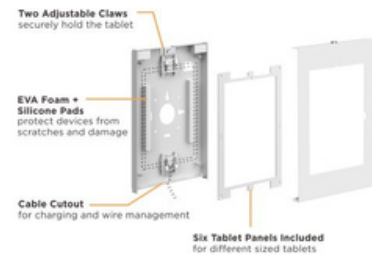
# HMD-409

## Anti-Theft Tablet Floor Stand



**Internal Cable Management**  
protects wiring from damage or vandalism

### *Innovative Enclosure Design*



**Free Tilting**  
suits various viewing needs

**Landscape or Portrait Position**  
fits various applications



### **Material**

Steel, Plastic, Aluminum



### **Color**

Matte White, Matte Black



### **Weight Capacity**

1kg (2.2lbs)



### **Screen Rotation**

0°~+90°



### **Dimensions**

400x310x1110.5~1259.5mm  
(15.7"x12.2"x43.7"~49.6")



### **Fit Screen Size**

iPad Air(9.7"; 10.5"; 10.9"), iPad Pro(9.7"; 10.5"; 11"), Samsung Galaxy Tab A7, iPad 6, Samsung Galaxy Tab S6 Lite 10.4", iPad 9, iPad 8, Samsung Galaxy Tab A 10.1 (2019), iPad 5, iPad 7, iPad 10 (10.9")

# HMD-409

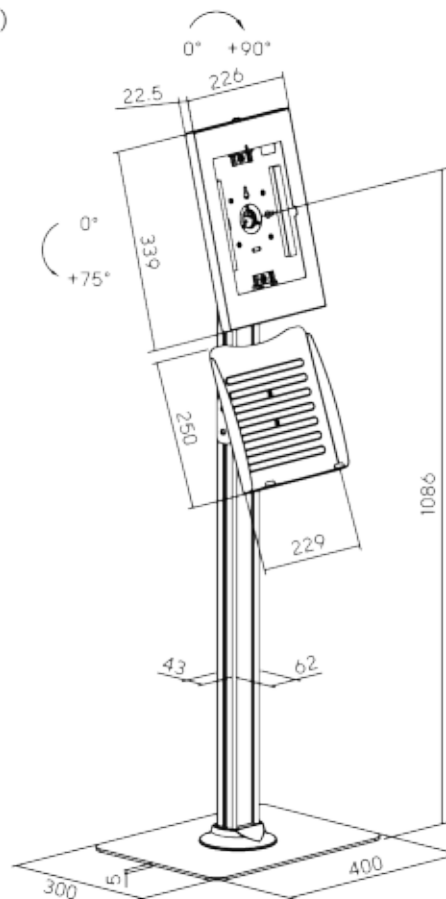
## Anti-Theft Tablet Floor Stand



## DESCRIPTION

**HMD-409** is a high-quality countertop kiosk with sleek modern appearance. The enclosure can be tilted up to  $75^\circ$  for comfortable viewing. Both horizontal and vertical orientations are available to suit different applications. An innovative internal design creates an all-in-one enclosure - compatible with most 9.7" to 11" tablets including iPad, iPad Air, iPad Pro, Samsung Galaxy Tab A, Tab A7 & Tab S6 Lite. Featuring an anti-theft lock and durable steel construction, it is safe and durable for high-traffic areas and public use.

Dimensions (mm)



## FEATURES

- Anti-theft Lock with a Key: for additional security preventing any unwanted removal in the public
- VESA Compatible: supports mounted on panel with standard VESA holes
- Free-Tilting Design: for multiple viewing experiences
- Anti-Skid pads prevent scratches or scuffs
- Height-Adjustable Brochure Holder: for displaying brochures, flyers and catalogs
- $90^\circ$  Rotation: for easily holding your iPad in portrait or landscape orientation