

HMD-405

Folding Tablet Stand

hamood



Adjustable Angle

Rotate the phone holder to desired viewing angles.



Anti-Slip Silicone Pads

Protect the device from scratches, and enhance stability.



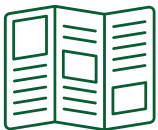
Matte Finish

Beauty isn't just skin deep. The eye-pleasing and durable finish also ensures a longer lifespan.



Folding Design

Easy to take it anywhere.



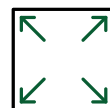
Material
Aluminum



Color
Black, Silver



Dimensions
160x108x30mm
(6.3"x4.3"x1.2")



Fit Screen Size
4"-13"

HMD-405

Folding Tablet Stand



DESCRIPTION

Perfect for home and workplace applications, the **HMD-405** folding tablet stand can replace a PC or a laptop for most tasks especially while working from home. That's why adjustable tablet stands are in high demand right now. Simply adjust the angle to reduce strain and fatigue on eyes and neck. Having long-lasting comfort while working can never be easier.

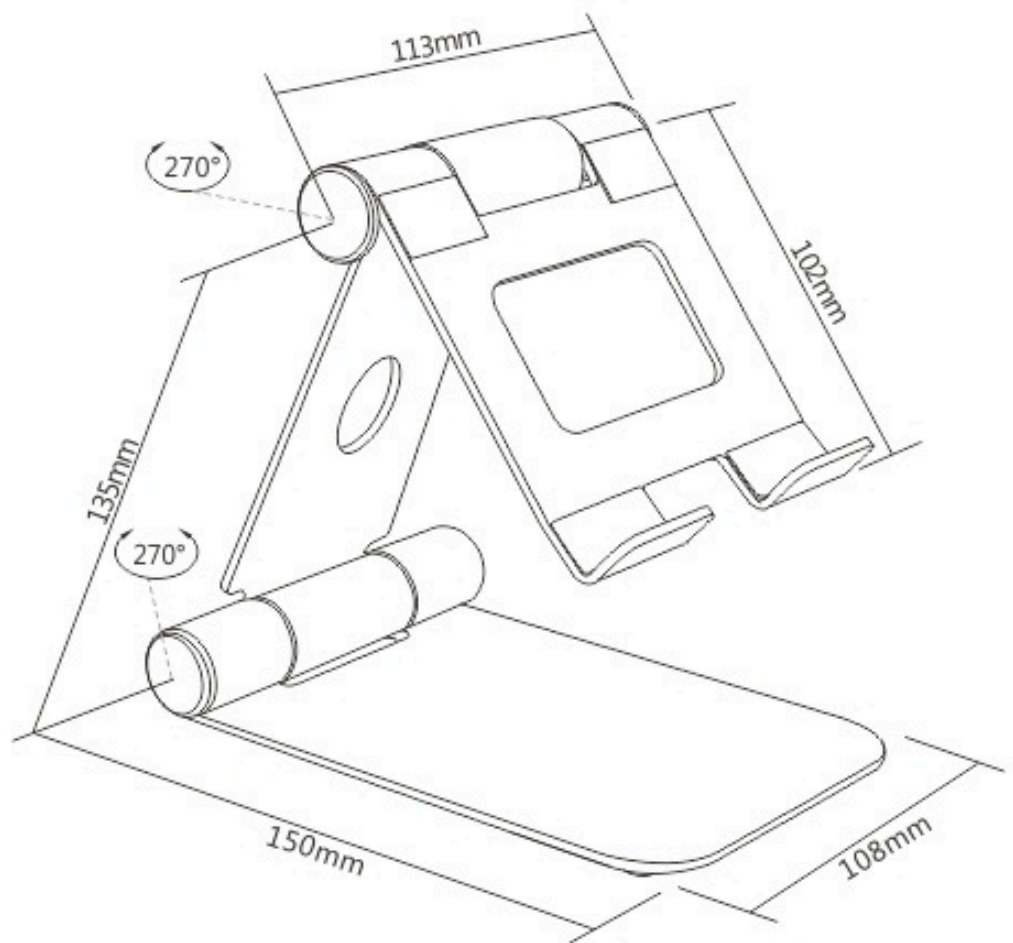
Adjustable Angle

Rotate the phone holder to desired viewing angles.



Matte Finish

Beauty isn't just skin deep. The eye-pleasing and durable finish also ensures a longer lifespan.



FEATURES

- Non-skid Silicone Pads: protect work surface from scratches or scuffs
- Cable Management: keeps everything organized
- Lightweight Aluminum Construction: provides a sleek, lighter, and elegant look