

HMD-301

Heavy-Duty Mobile TV Floor Stand

hamood



Material
Steel, Plastic



Color
Matte White, Matte Black



Weight Capacity
50kg (110lbs)



Screen Rotation
0°~+90°



Dimensions
500x500x1340mm
(19.7"x19.7"x52.8")



Fit Screen Size
37"-86"



Tilt Range
+5°~-10°



TV Height Range
585 or 622 or 660 or 697 or 735mm
(23" or 24.5" or 26" or 27.4" or 28.9")

<https://hamoodtv.com>

HMD-301

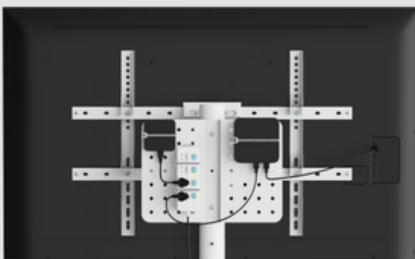
Heavy-Duty Mobile TV Floor Stand

hamood



Pegboard Storage Panel & Integrated Cable Management

for a clean look and easy access to equipment



5 Hidden Rolling Casters
moving smoothly with
a simplified look



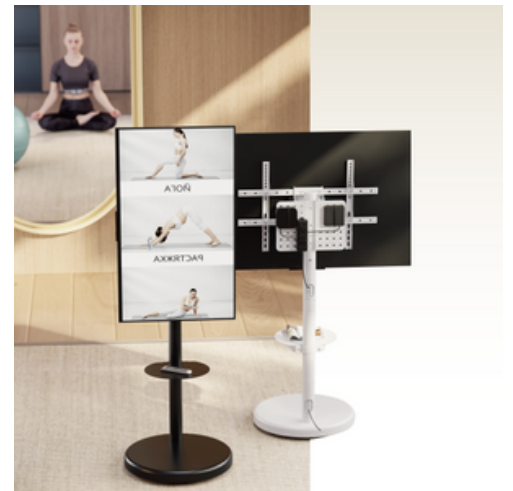
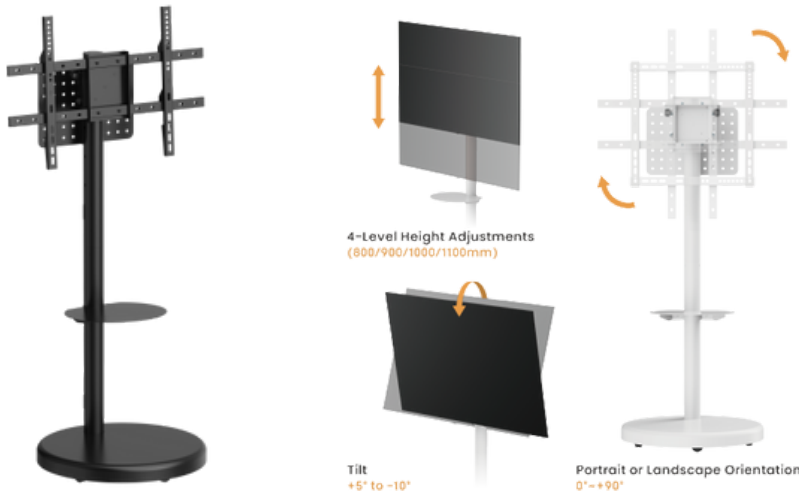
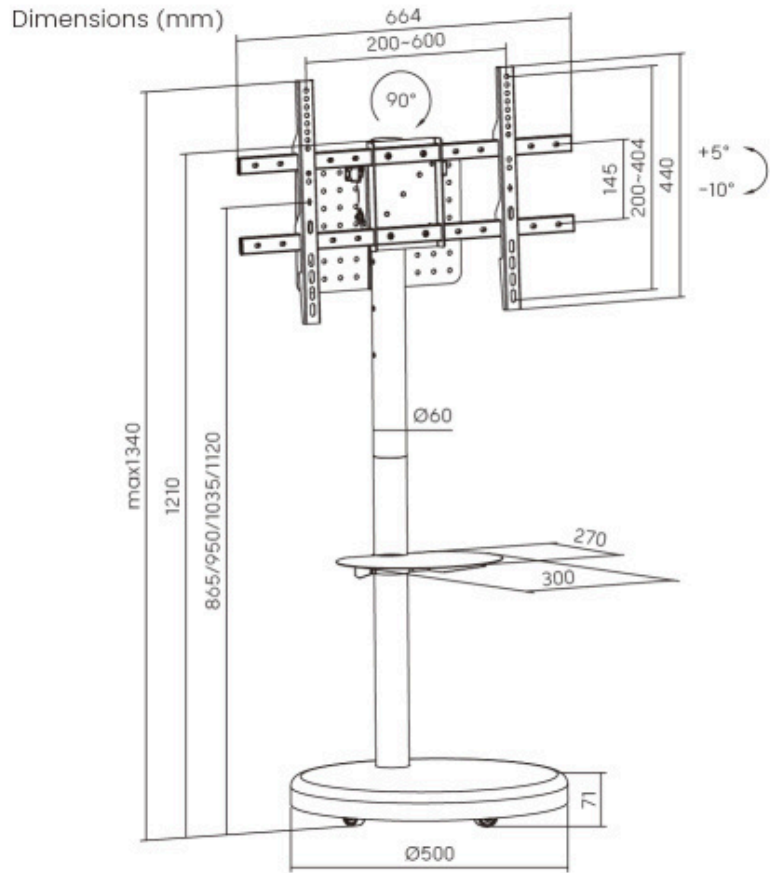
Height Adjustable Shelf
holds AV equipment and small items



<https://hamoodtv.com>

HMD-301

Heavy-Duty Mobile TV Floor Stand



FEATURES

- Height Adjustable TV Mount: for the best viewing experience
- Portrait or Landscape Orientation: one solution fits any installation
- Cable Management: keeps everything organized
- Sturdy Base with Streamline Design: for durability and aesthetics
- Free-Tilting Design: makes easy forward or backward adjustment for better viewing and reduced glare
- Height Adjustable Equipment Shelf: provides more storage space for accessories
- Hidden Casters in the Base: move smoothly while keeping a simple look