

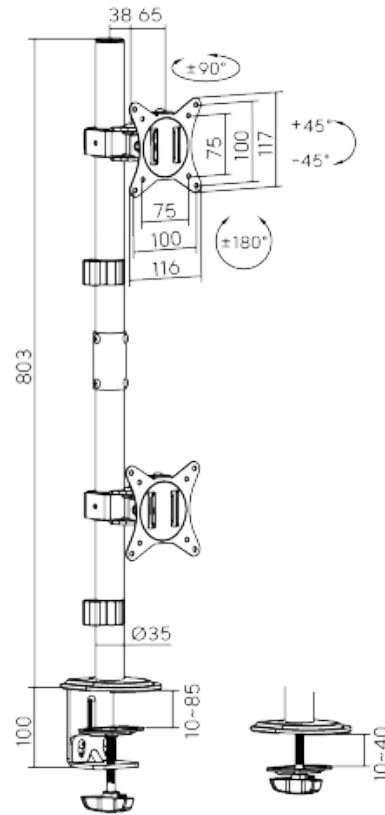
HMD-145



Vertical Dual-Monitor Steel Articulating Monitor Mount



Dimensions (mm)



Fit Screen Size
17"-32"

Weight Capacity
9kg (19.8lbs)

Swivel Range
+90°~-90°

VESA Compatible
75x75,100x100

Tilt Range
+45°~-45°



Clamp/Grommet Base
with 2-in-1 design