

HMD-132

Economical Dual Screen Wall-Mounted Gas Spring Monitor Arm



Fit Screen Size
17"-32"



Weight Capacity
2~9kg



Screen Rotation
+180°~-180°



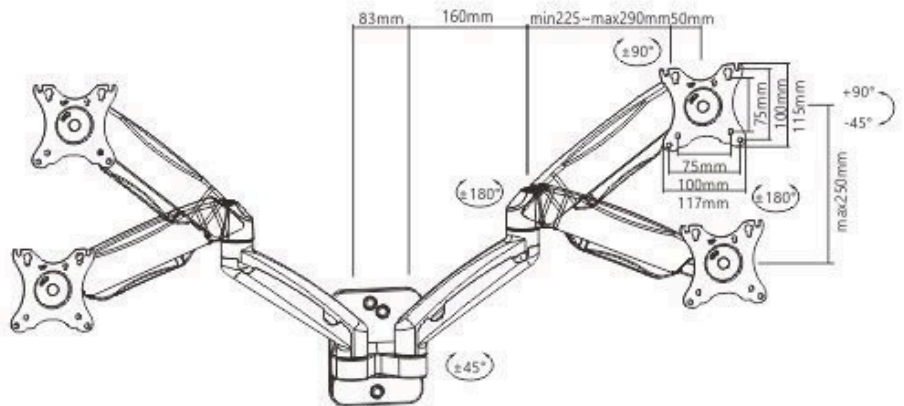
Tilt Range
+90°~-45°



VESA Compatible
75x75,100x100



Swivel Range
+90°~-90°



FEATURES

- Gas spring perfectly counterbalances the weight of your screen to help effortless adjustment for viewing comfort
- Cable Management: keeps everything organized
- Freely Adjusting Height: for an optimal ergonomic position
- 360° Rotary VESA Plate: for more viewing experience
- Slide-in VESA Plate: for quick attachment and detachment
- Swiveling Arm(s): offer(s) maximum viewing flexibility (makes every seat the best seat)
- Free-Tilting Design: makes easy forward or backward adjustment for better viewing and reduced glare
- Portrait and Landscape Orientation: matches different viewing needs