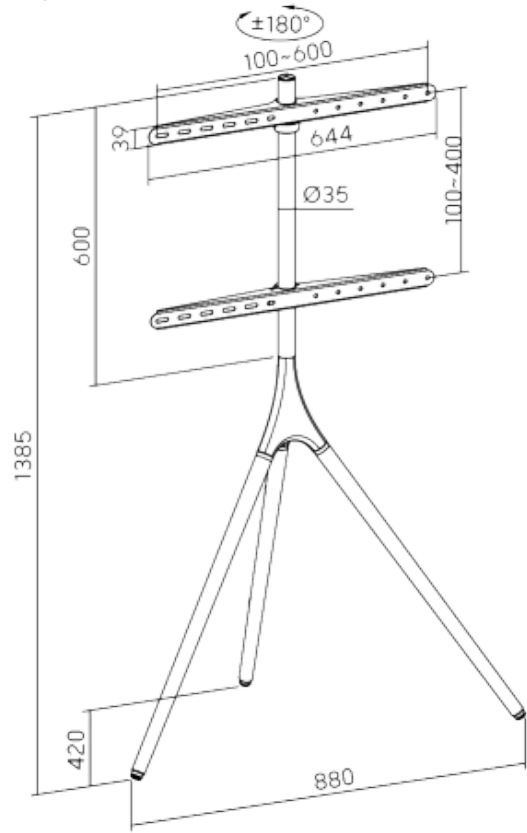


HMD-2010

EASEL STUDIO TV FLOOR STAND



Dimensions (mm)



Fit Screen Size
45"-65"

Weight Capacity
32kg (70.4lbs)

Swivel Range
+180°~-180°

VESA Compatible
200x200,300x200,400x200,300x300,
400x300,400x400,600x400



Anti-Tip Safety Strap:
prevents TV tip-over and ensures the
children's safety

