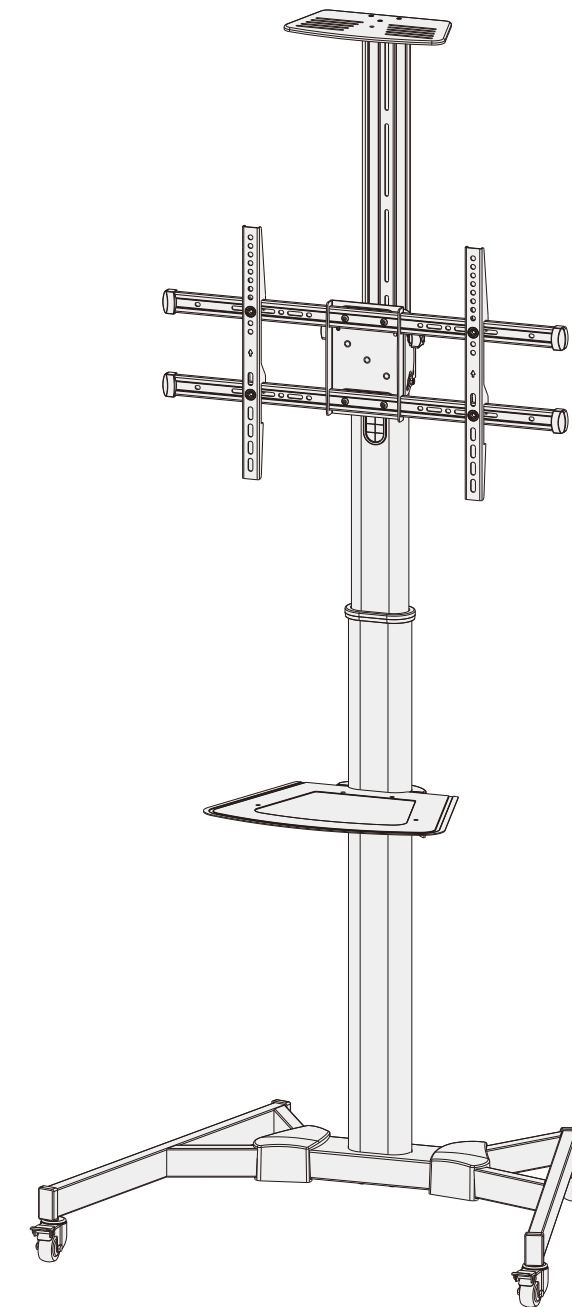
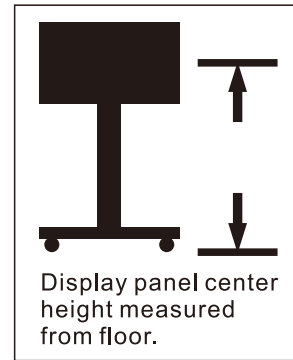
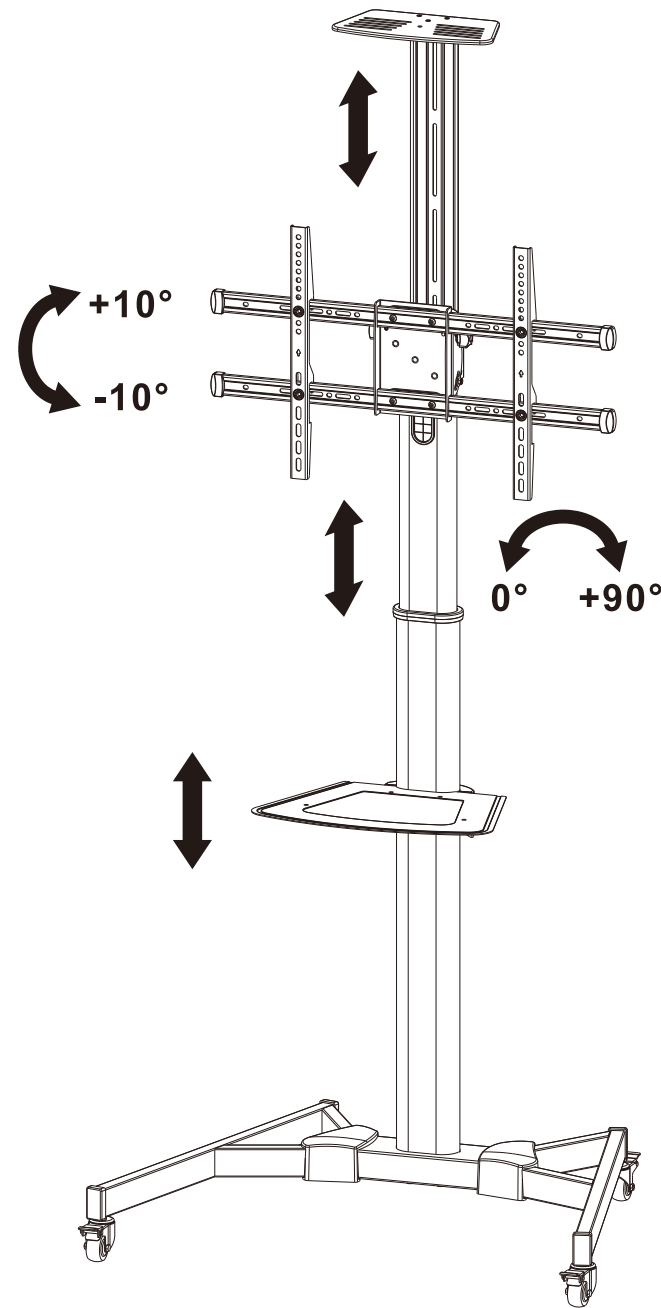


12. Adjustment



hamood

TV Cart



- It is recommended to adjust the columns to the desired height before installing the display.
- If you want to adjust the columns height after finishing the display installation. Please remove the DVD shelf, then adjust the columns to the desired height.

Maintenance

- Check that the bracket is secure and safe to use at regular intervals(at least every three months).
- Please contact your distributor if you have any questions.

INSTALLATION MANUAL

HMD-749


VESA Compatible
200x200/400x200/300x300
400x400/600x400

70"
MAX

rated
for TV
50kg/110lbs

rated
for DVD
5kg/11lbs

rated
for CAMERA
5kg/11lbs

 **Read the entire instruction manual before you start installation and assembly. If you have any questions regarding any of the instructions or warnings, please contact your local distributor for assistance.**

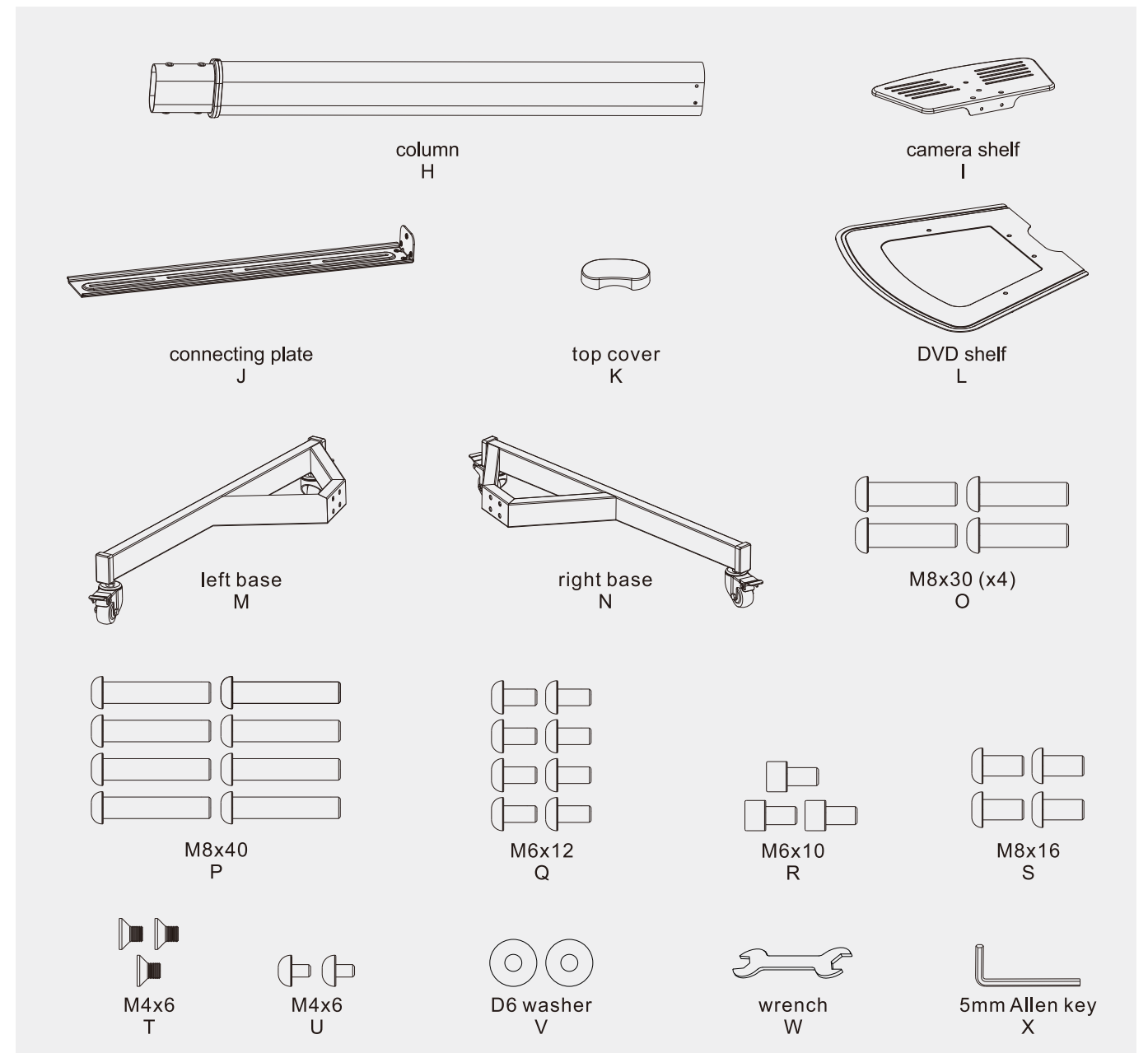
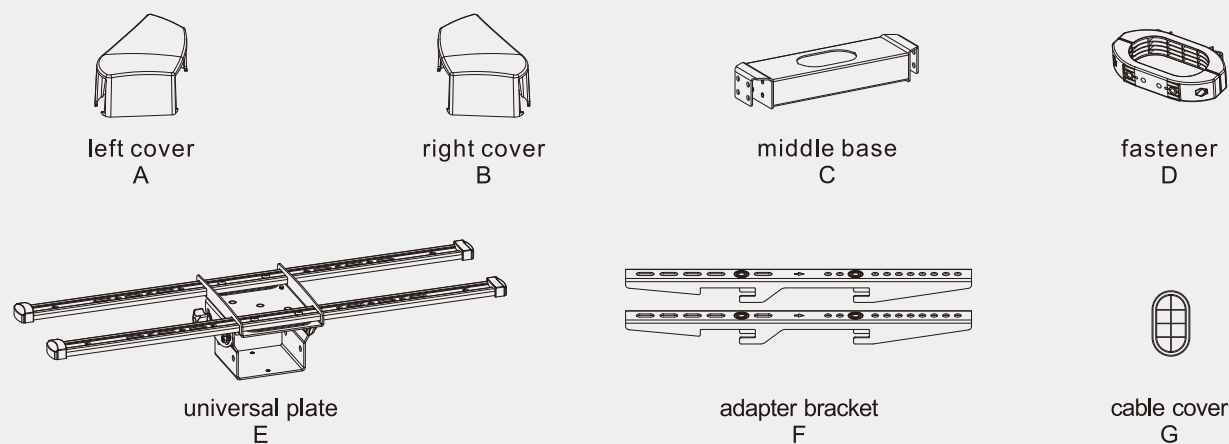
CAUTION

- Use with products heavier than the rated weights indicated may result in instability causing possible injury.
- Please closely follow the assembly instructions. Improper installation may result in damage or serious personal injury.
- Safety gear and proper tools must be used. This product should only be installed by professionals.
- Make sure that the supporting surface will safely support the combined weight of the equipment and all attached hardware and components.
- Use the mounting screws provided and **DO NOT OVER TIGHTEN** mounting screws.
- This product contains small items that could be a choking hazard if swallowed. Keep these items away from children.
- This product is intended for indoor use only. Using this product outdoors could lead to product failure and personal injury.

Required for Installation

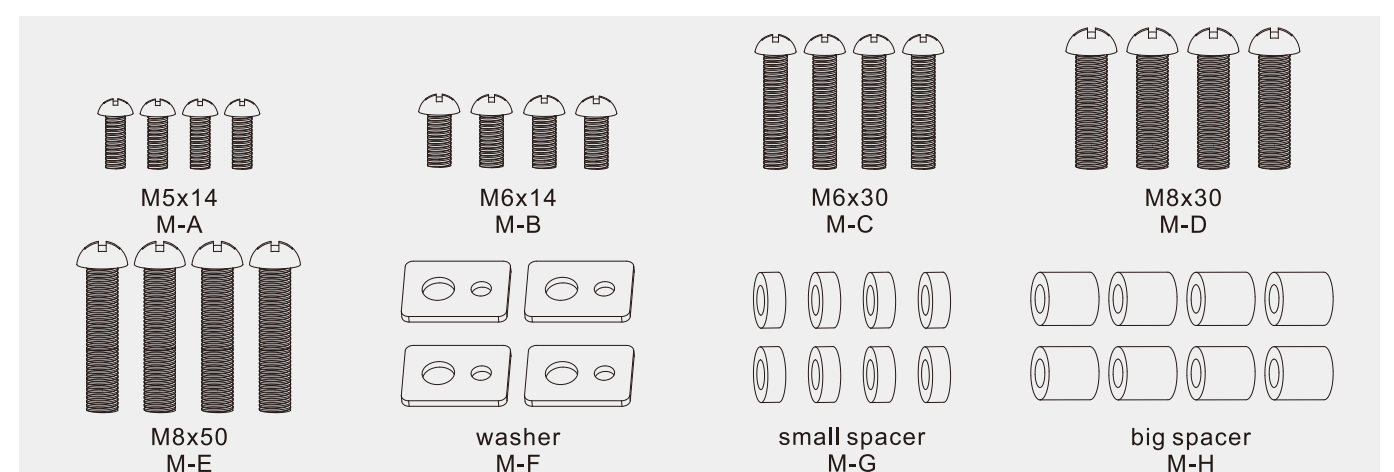


Component Checklist

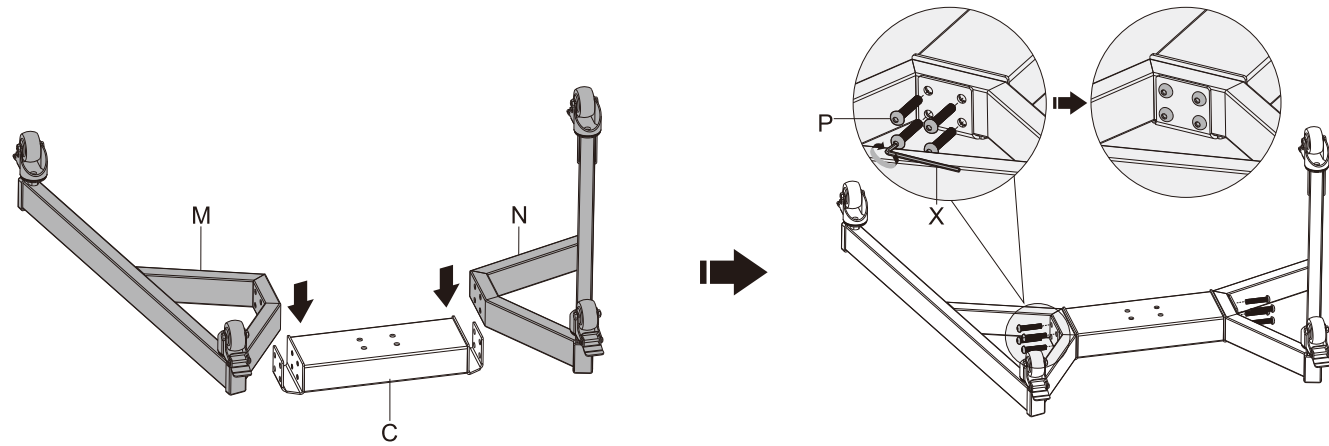


IMPORTANT: Ensure that you have received all parts according to the component checklist prior to installation. If any parts are missing or faulty, contact your place of purchase for a replacement.

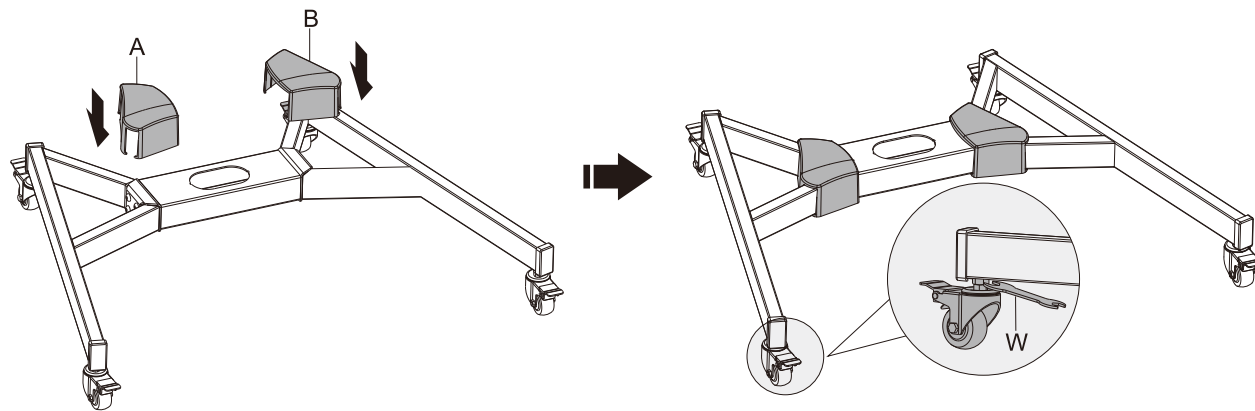
Package M



1. Assembling the Base

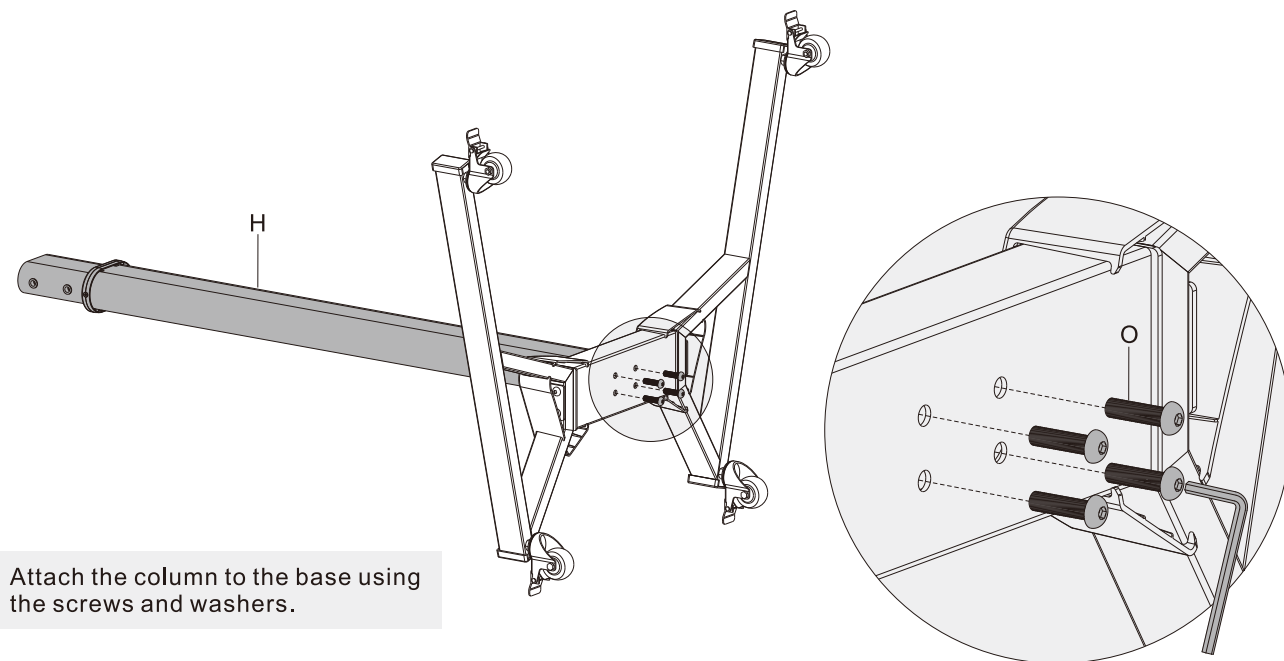


Attach the right base to the middle base and secure with screws(P). Repeat this step for the left base.



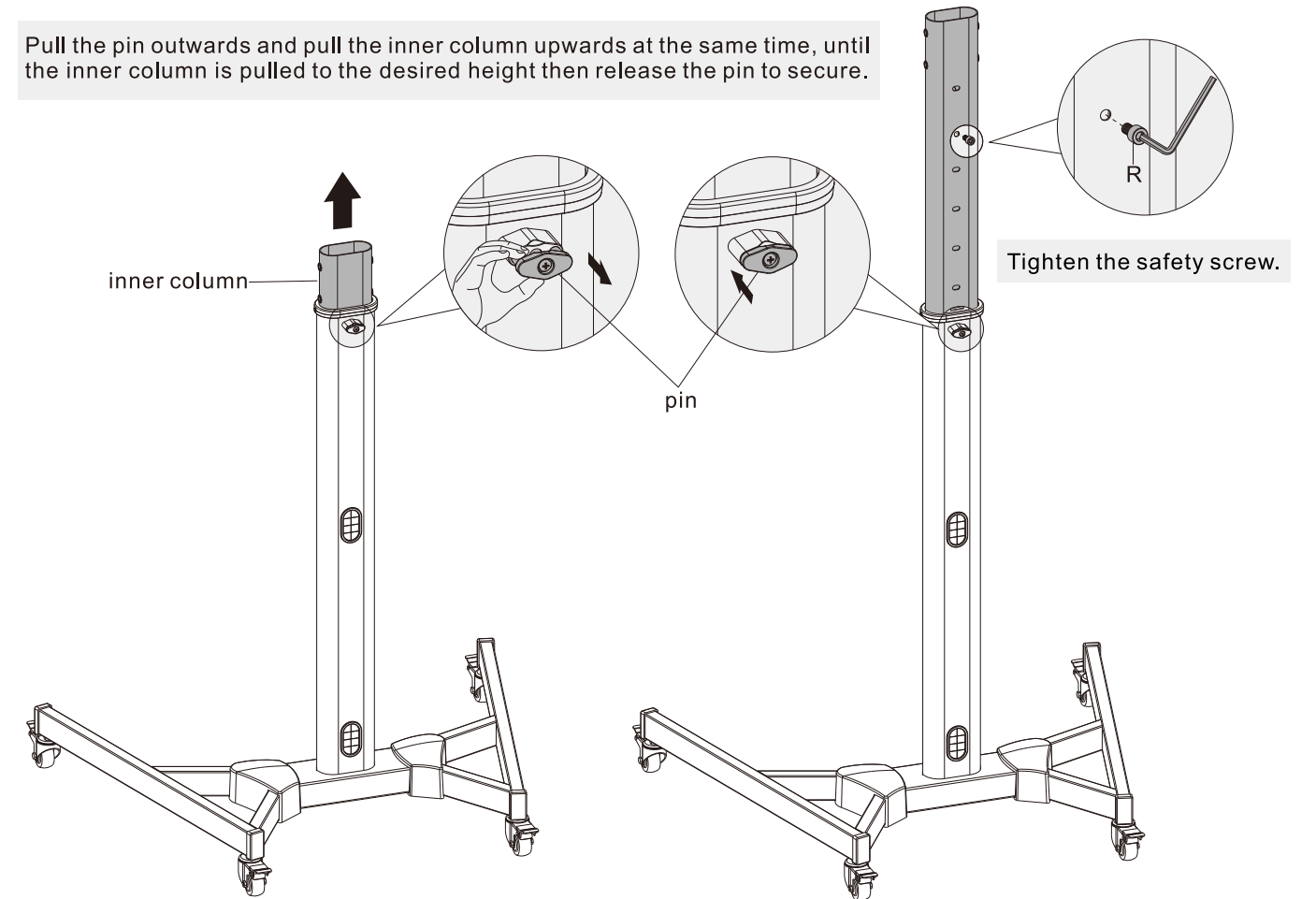
NOTE: Lock the brakes on the casters to avoid any sudden movements during installation.
Each caster can be adjusted independently for fine tuning adjustments. Slightly turn the nut to lower or raise the base.

2. Attaching the Column to the Base

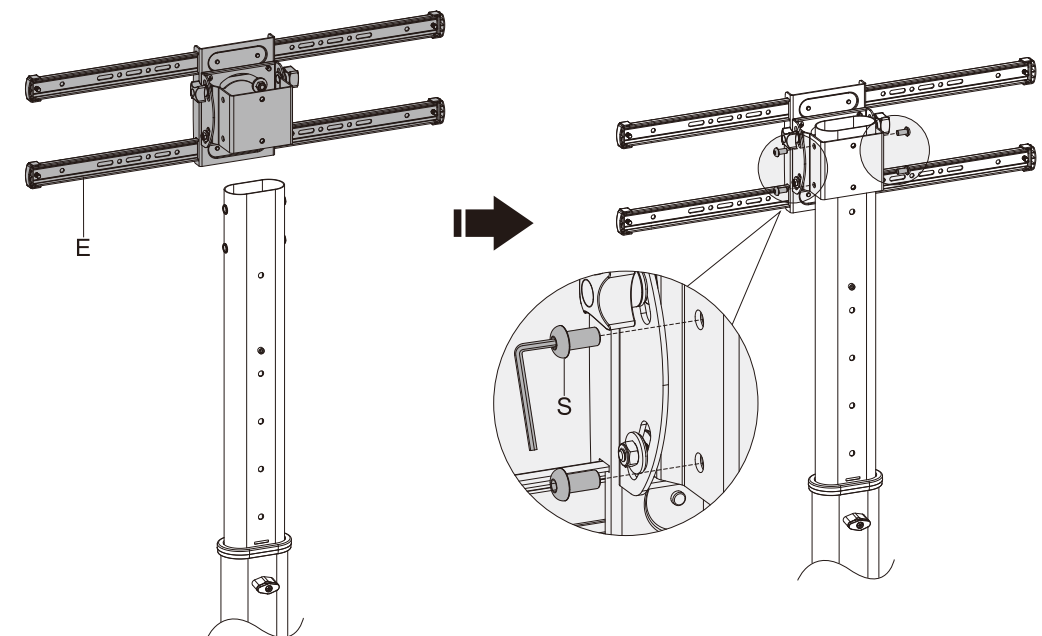


Attach the column to the base using the screws and washers.

Pull the pin outwards and pull the inner column upwards at the same time, until the inner column is pulled to the desired height then release the pin to secure.

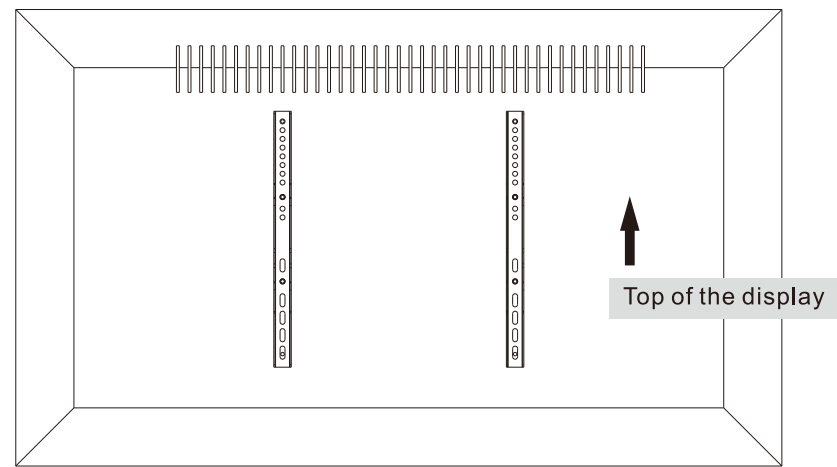


3. Attaching the Universal Plate to the Column

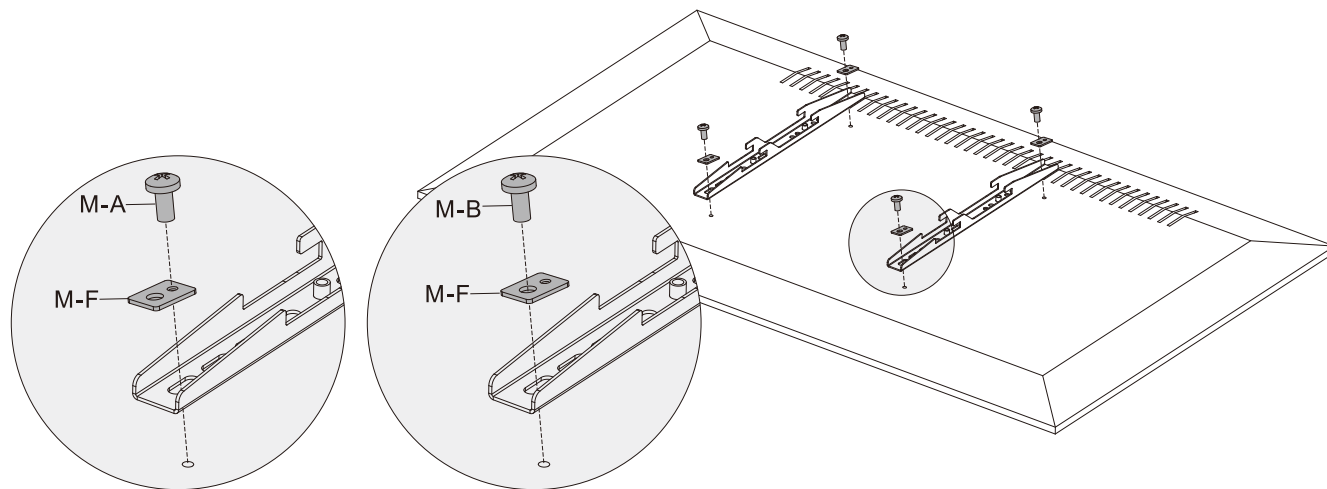
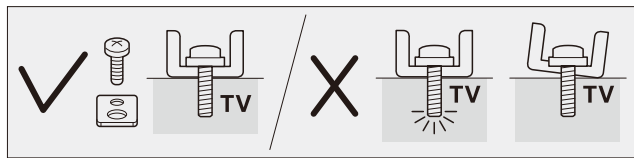


Attach the universal plate to the column using the appropriate screws.

4. Installing the Adapter Brackets

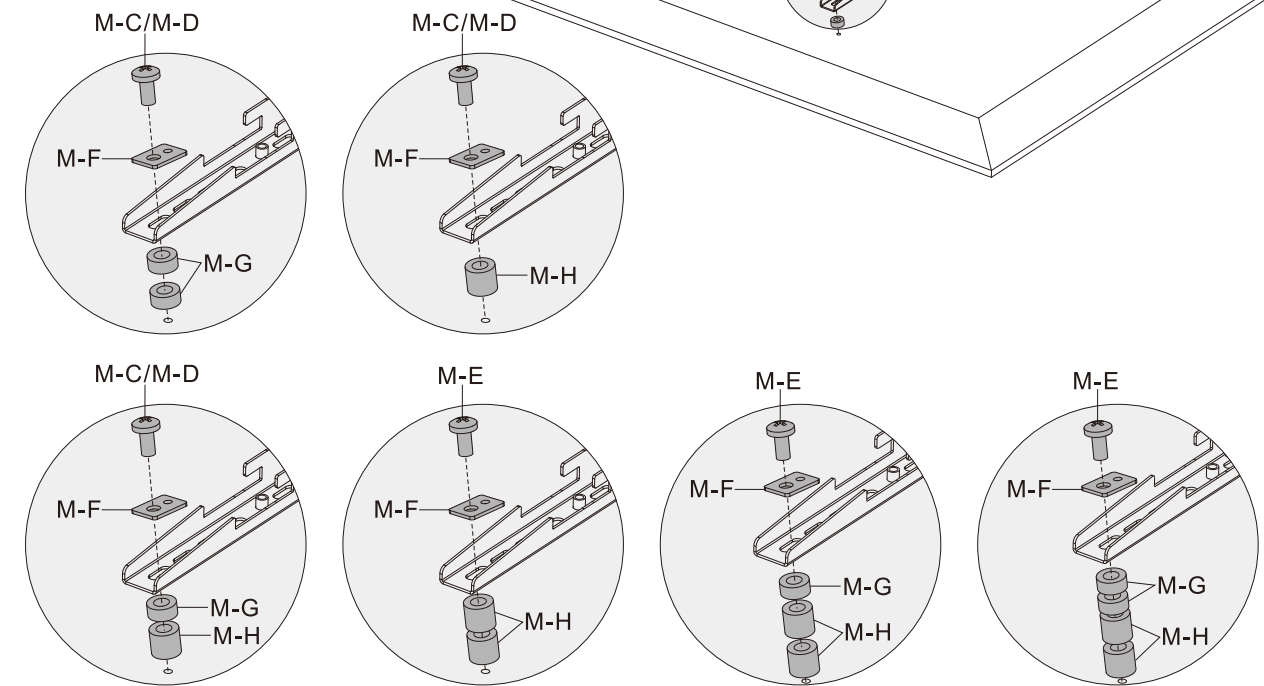
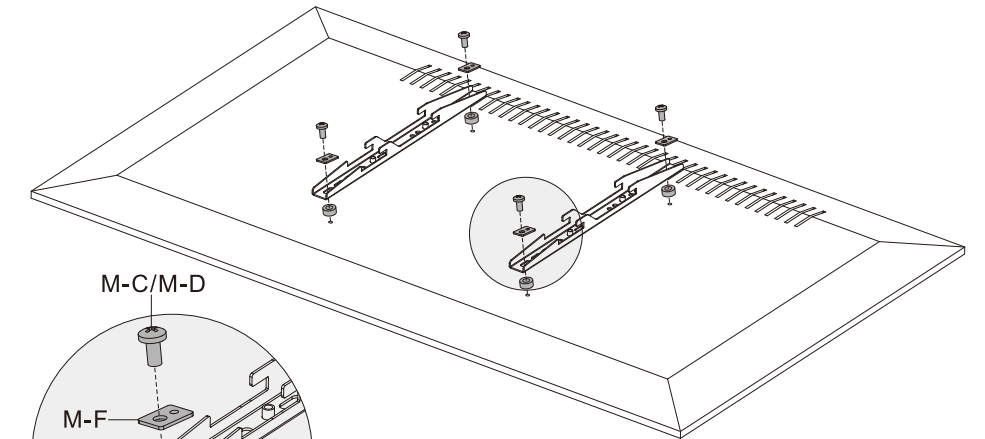


4-1 For Flat Back Screens



M-A			M-B		
M-F					

4-2. For Bump-out or Recessed Back Screens

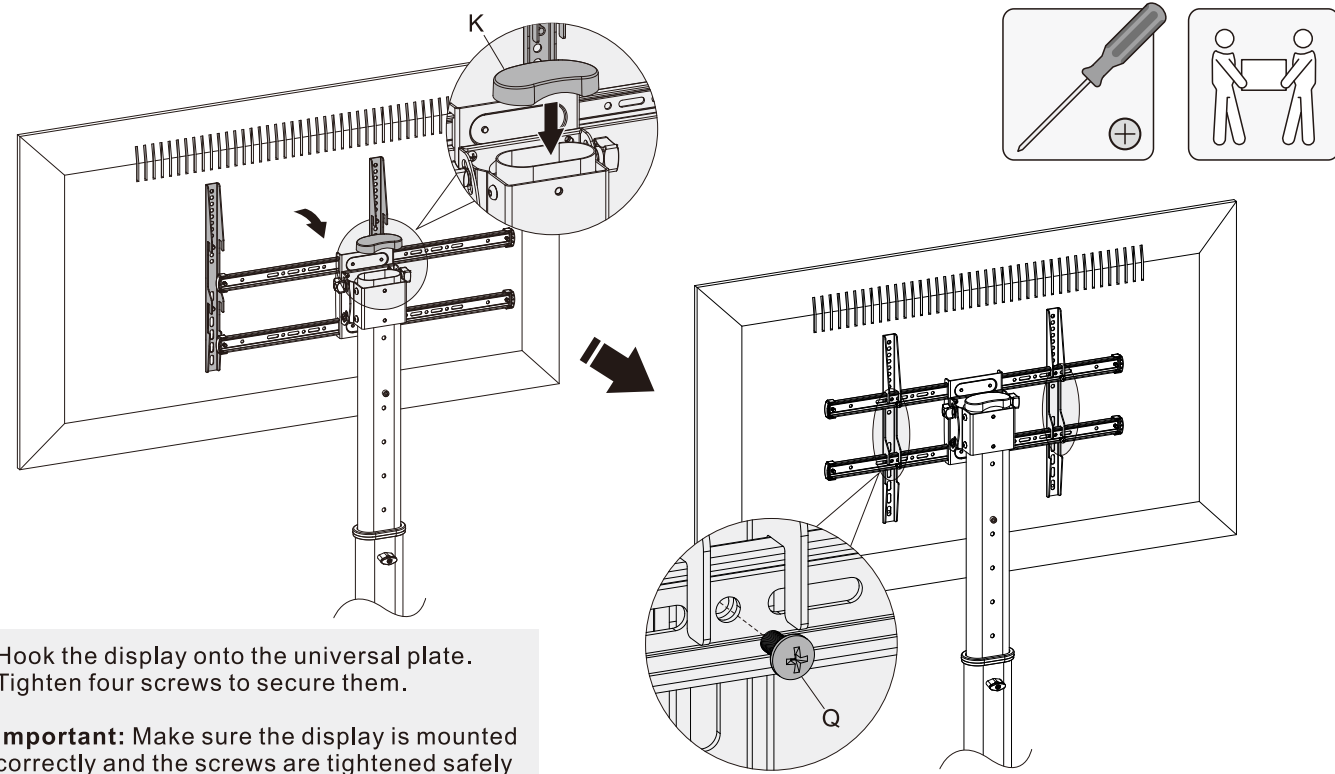


M-C			M-D		
M-E			M-F		
M-G			M-H		

Note: Choose the appropriate screws, washers and spacers (if necessary) according to the type of screen.
 • Position the adapter brackets as close as possible to the center of the display.
 • Screw the adapter brackets onto the display.

⚠ Tighten all screws but do not over tighten.

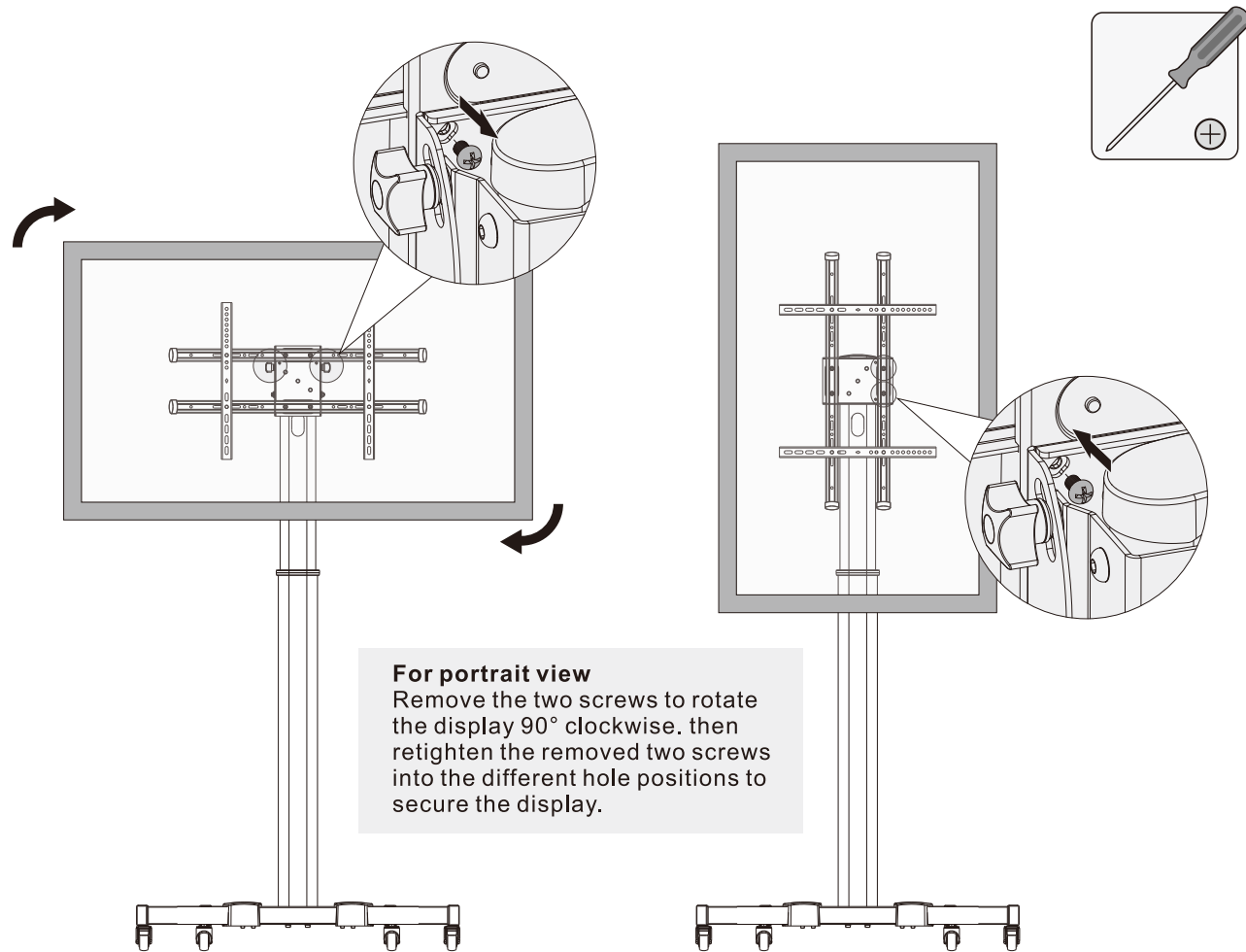
5. Hanging the Display onto the Universal Plate



Hook the display onto the universal plate. Tighten four screws to secure them.

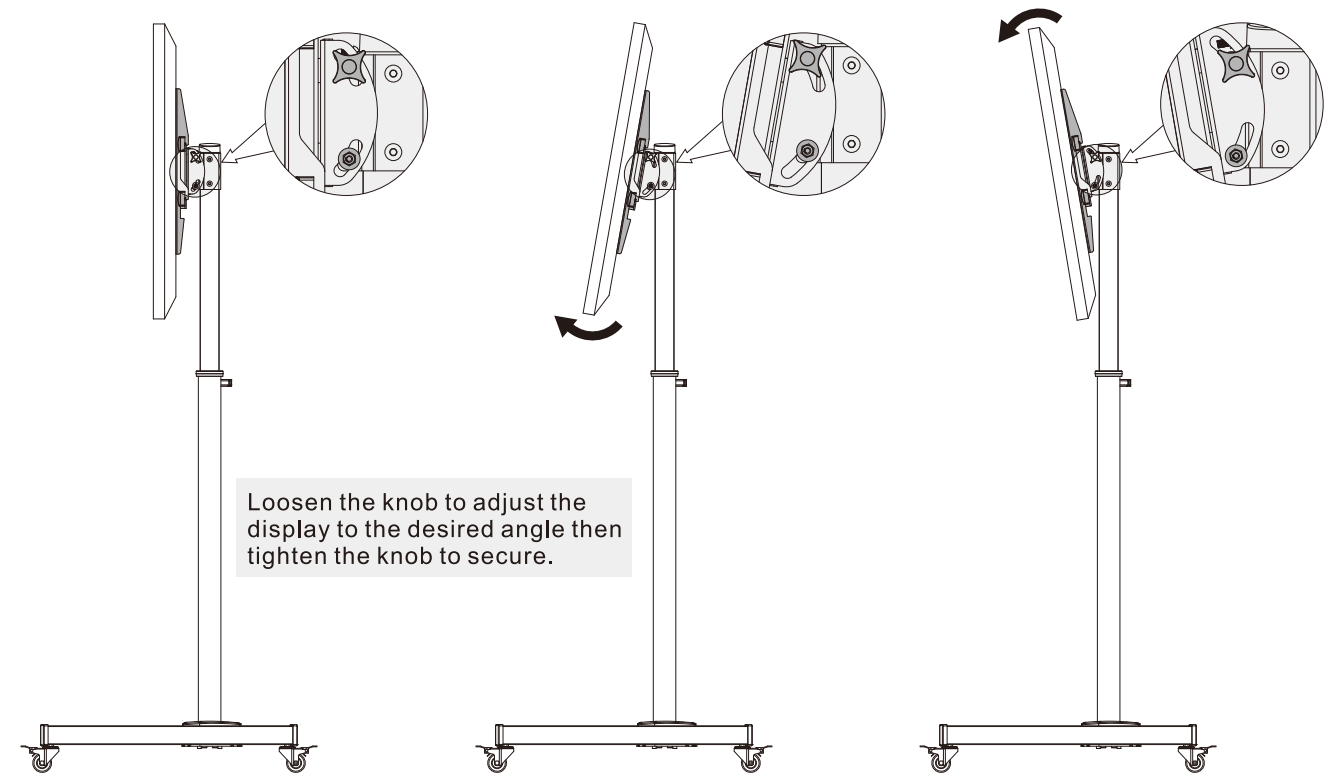
Important: Make sure the display is mounted correctly and the screws are tightened safely before releasing the display.

6. For Landscape or Portrait View



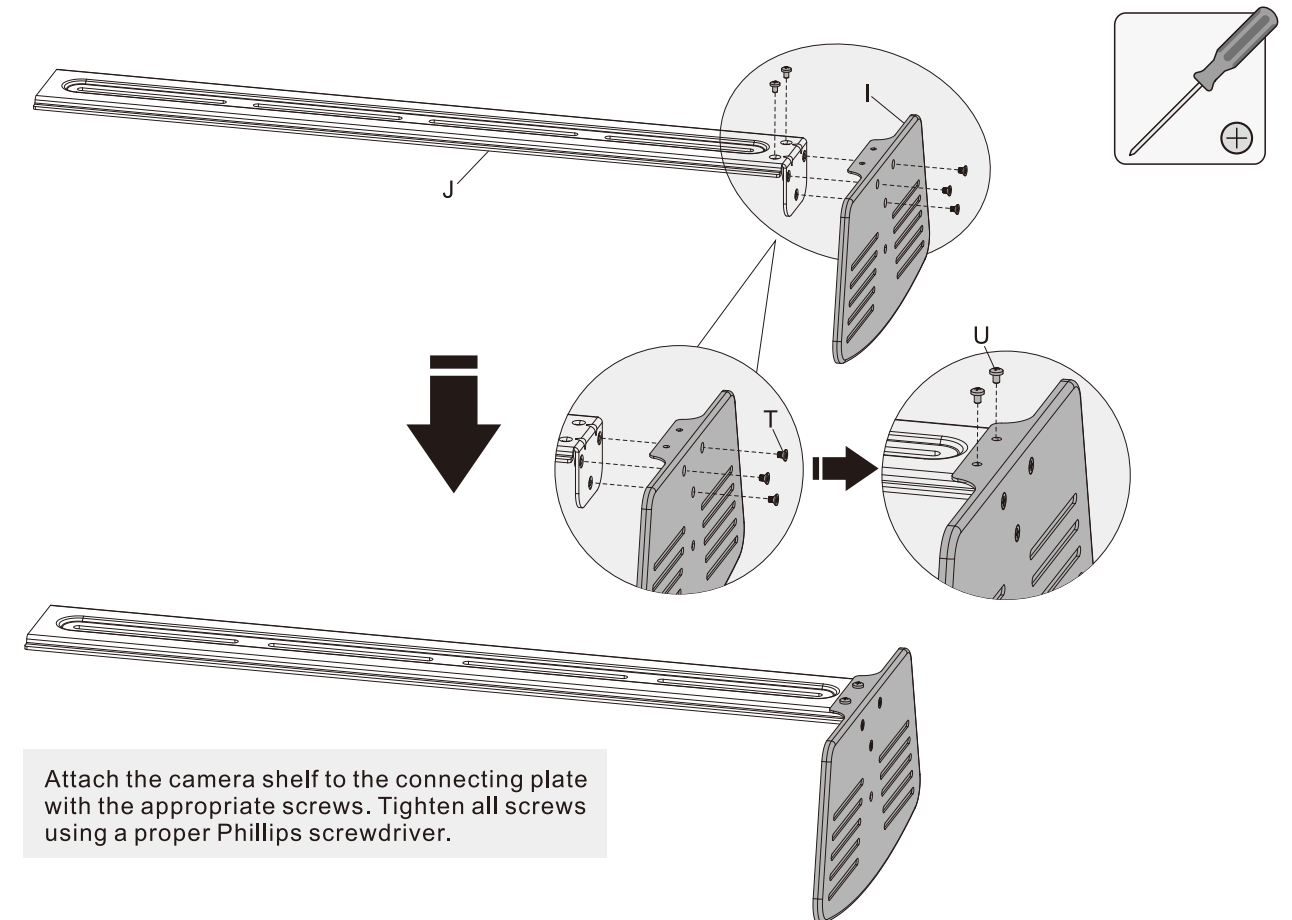
For portrait view
Remove the two screws to rotate the display 90° clockwise, then retighten the removed two screws into the different hole positions to secure the display.

7. Angle Adjustment



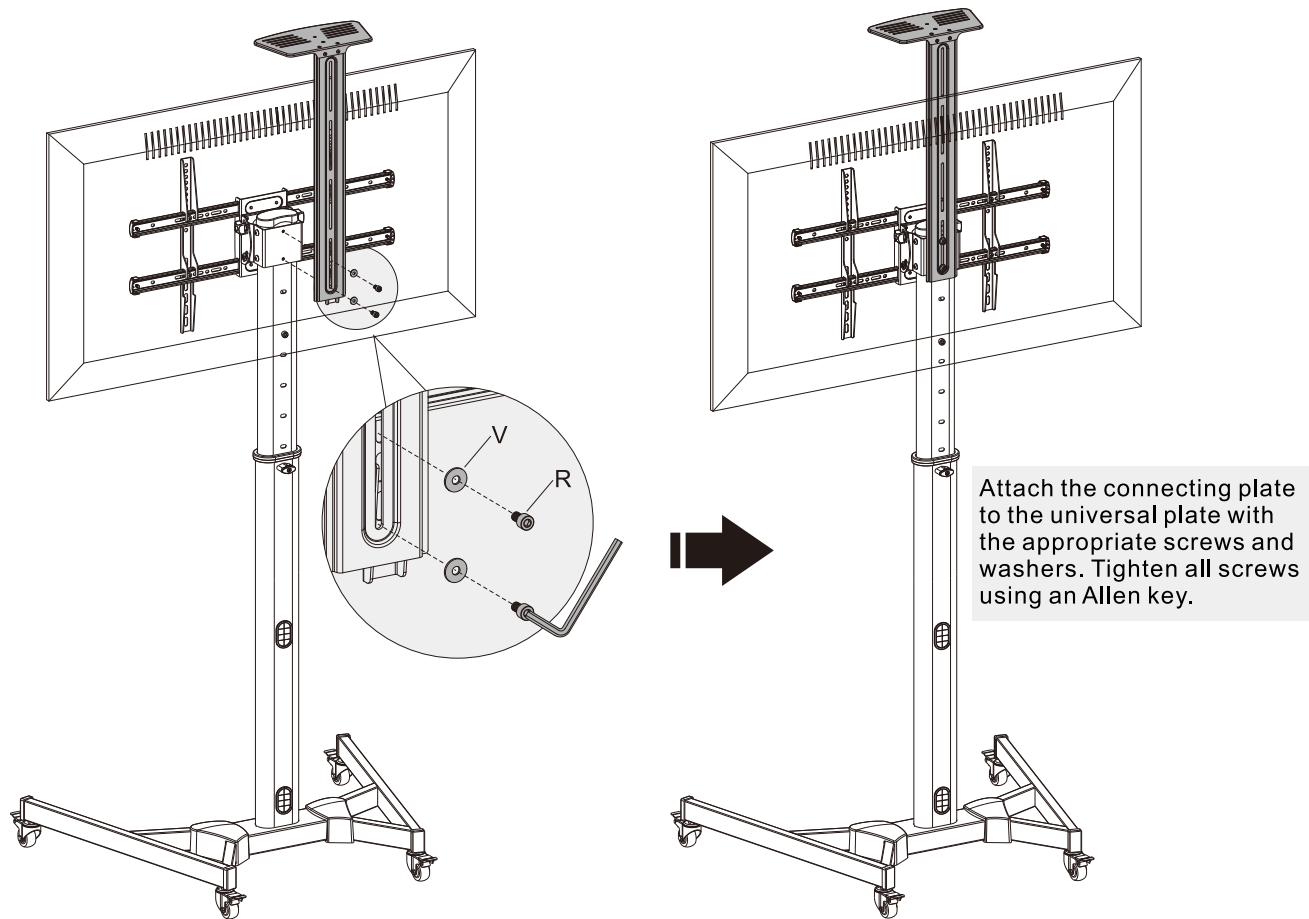
Loosen the knob to adjust the display to the desired angle then tighten the knob to secure.

8. Installing the Camera Shelf

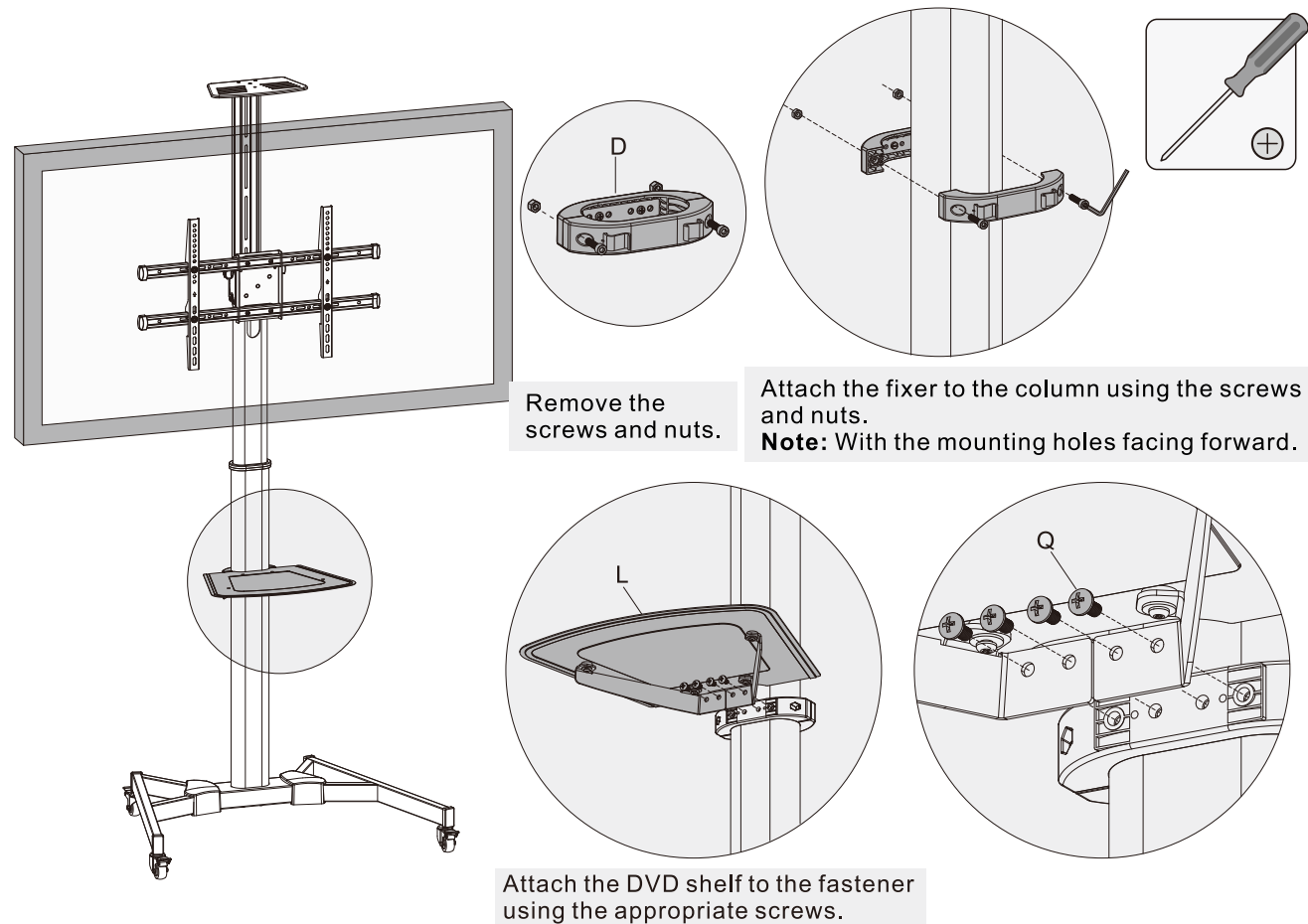


Attach the camera shelf to the connecting plate with the appropriate screws. Tighten all screws using a proper Phillips screwdriver.

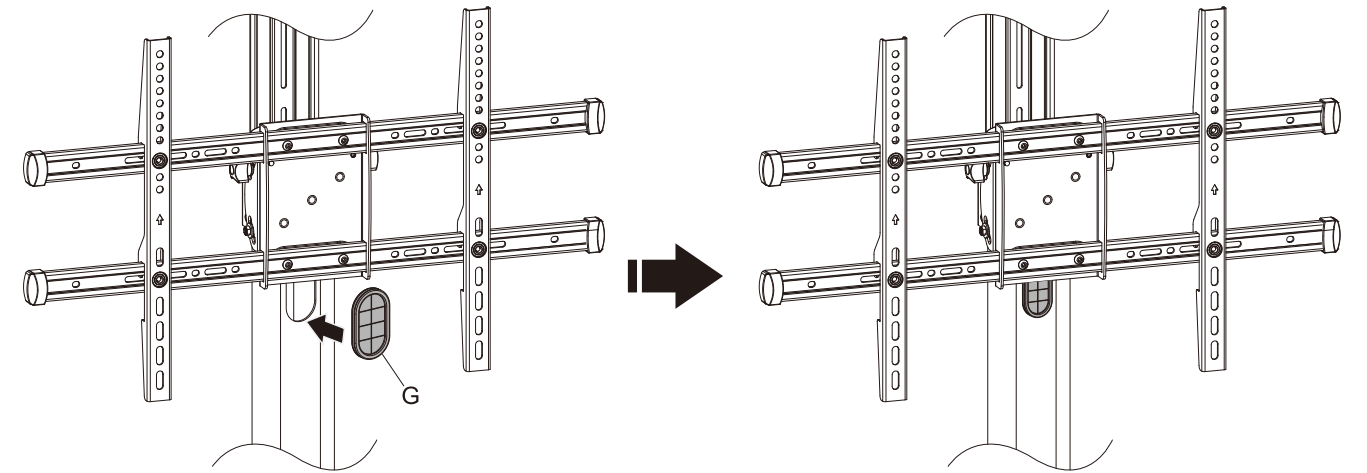
9. Installing the DVD Shelf



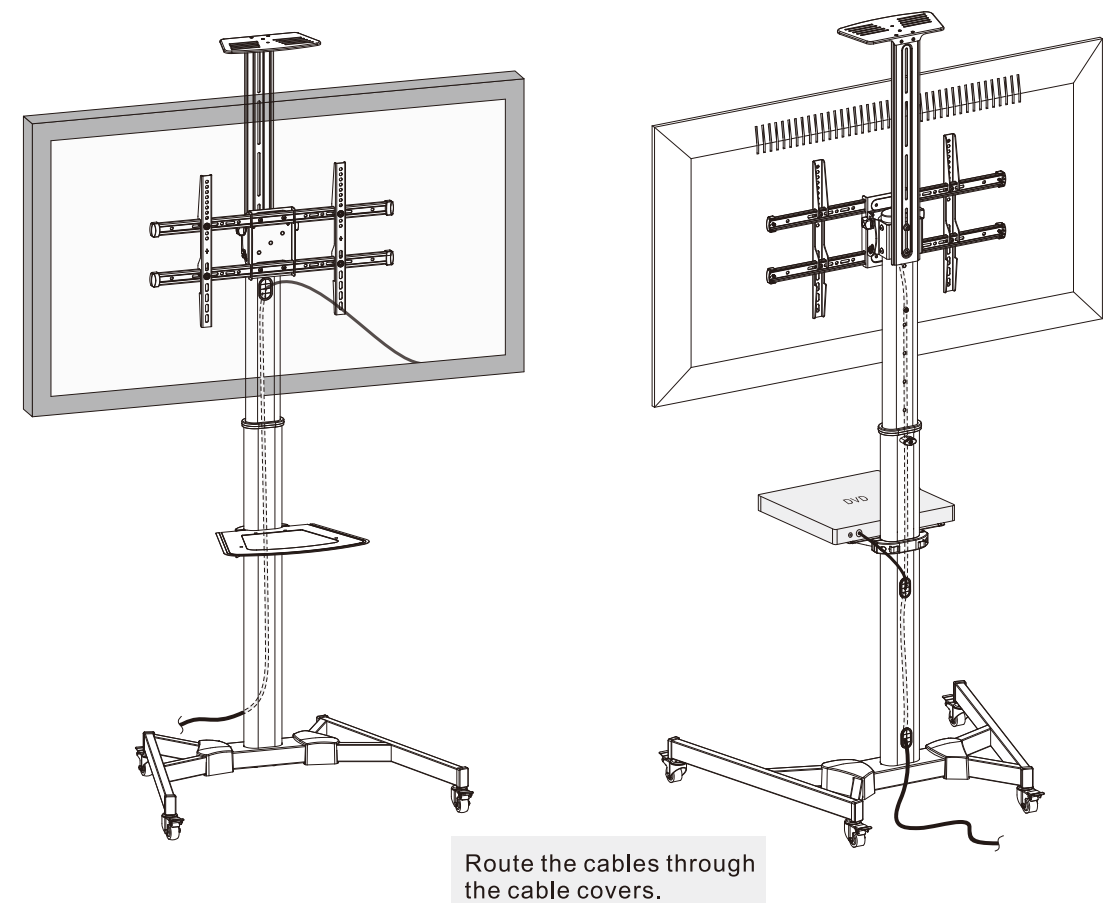
9. Installing the DVD Shelf



10. Installing the Cable Covers



11. Cable Management



Maintenance

- Check that the bracket is secure and safe to use at regular intervals (at least every three months).
- Please contact your distributor if you have any questions.