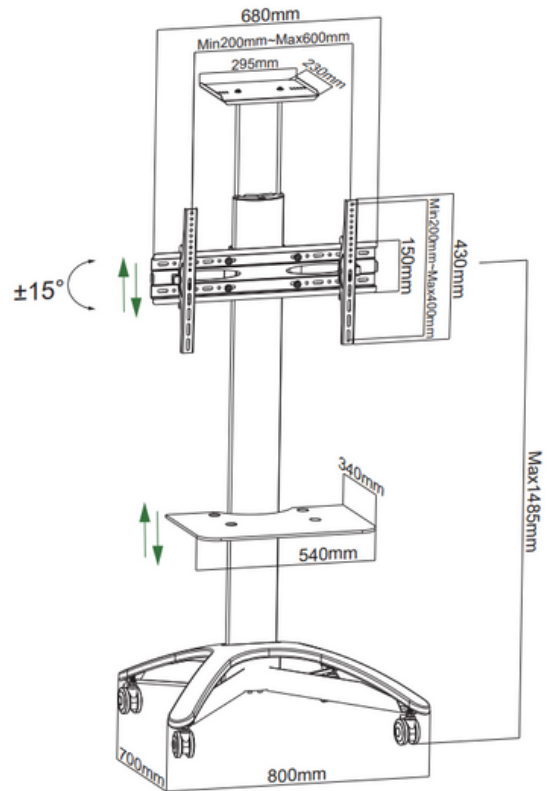


# HAM-199

Aluminum TV Cart



**Loading Capacity**  
50kg

**Suggested TV Size**  
32-75"

**Tilt Range**  
-15~+15°

**VESA**  
600\*400mm

