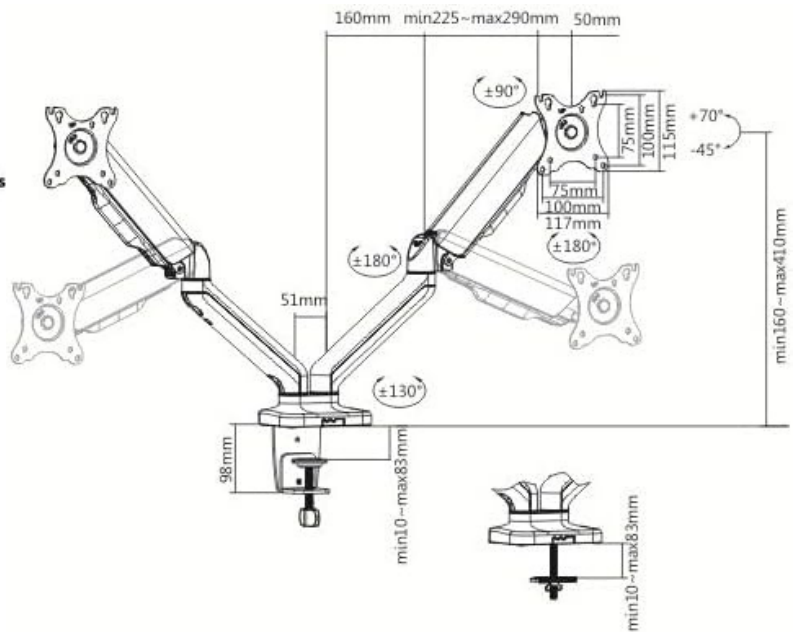


HAM-104



DUAL MONITORS PREMIUM ALUMINUM SPRING-ASSISTED MONITOR ARM



Fit Screen Size
17"-32"

Weight Capacity
2~9kg

Screen Rotation
+180°~-180°

Tilt Range
+70°~-45°

VESA Compatible
75x75,100x100

