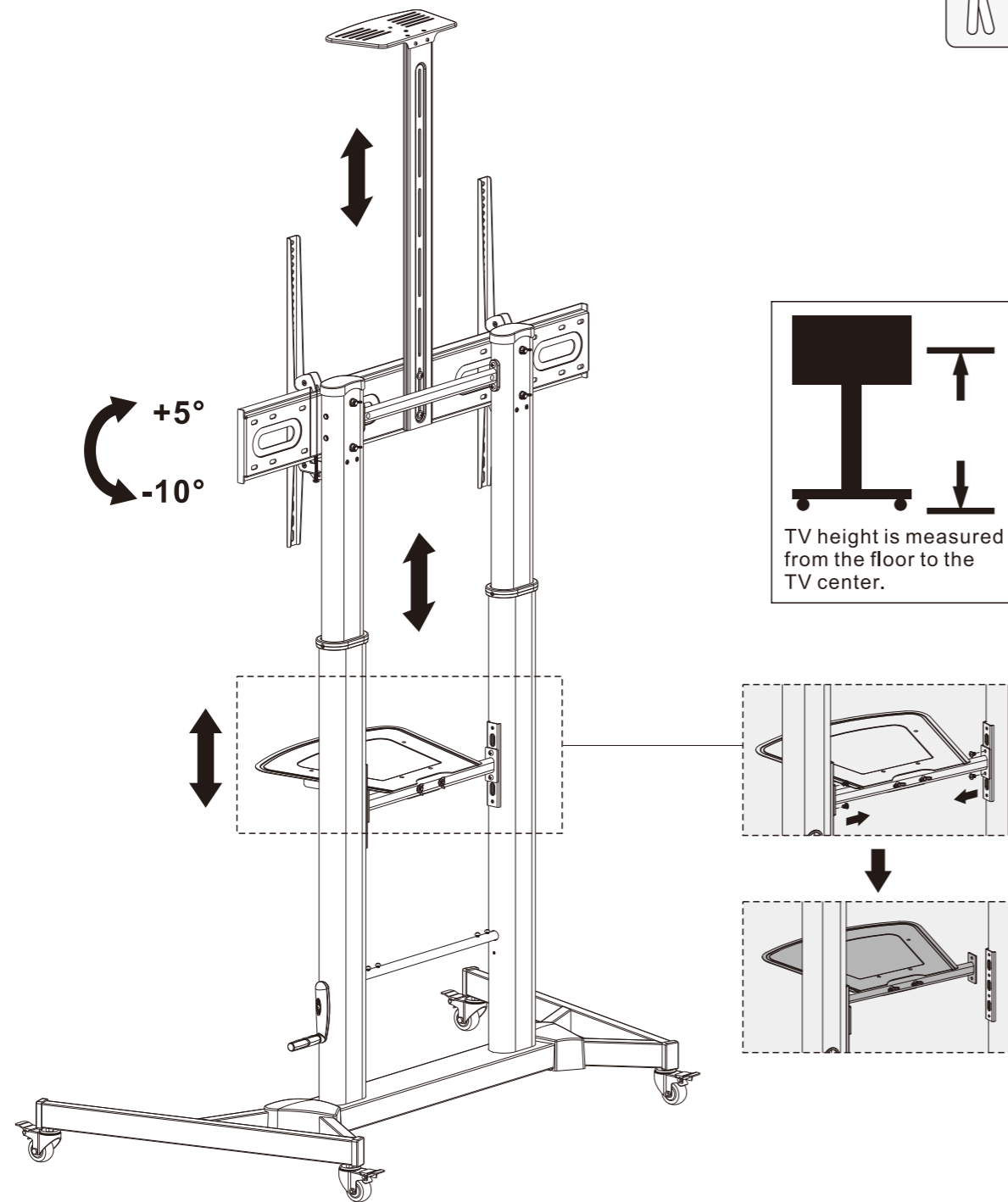
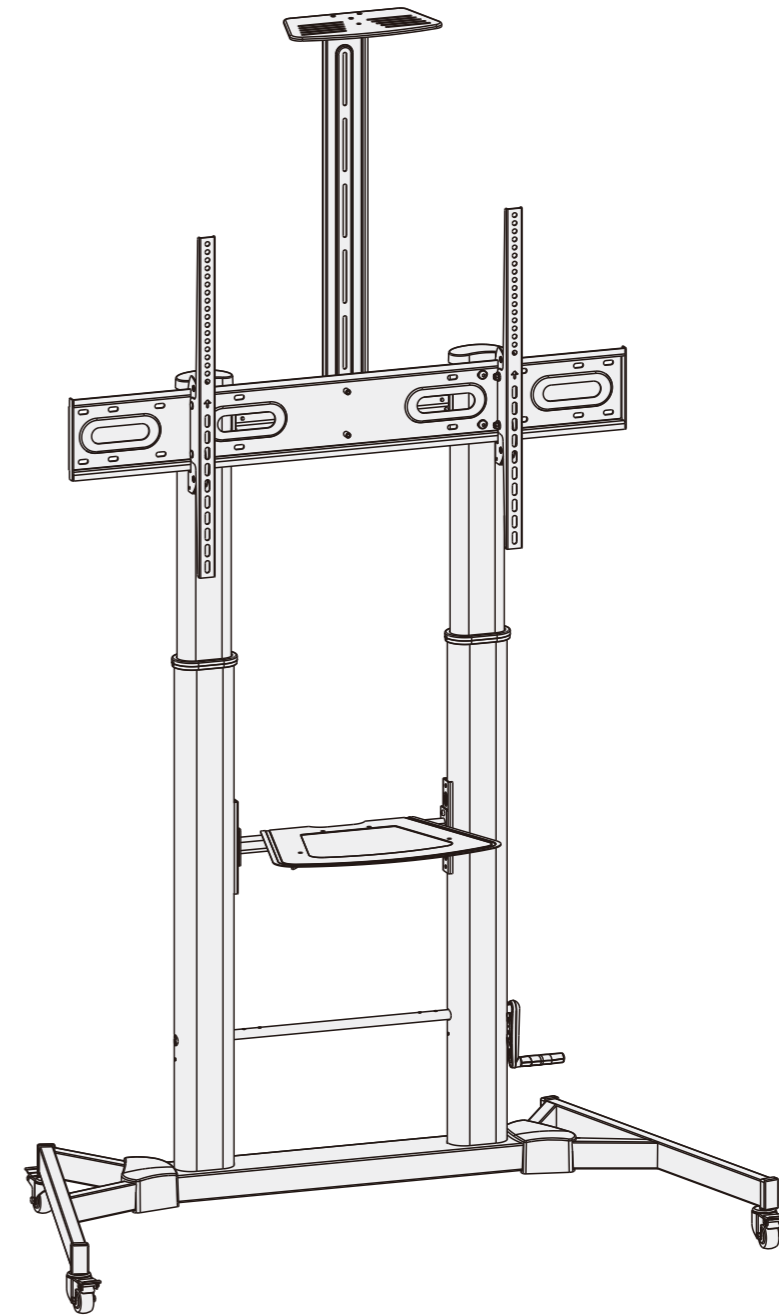


## 12. Adjustment



hamood

# TV Cart



**Note:** It is recommended to adjust the columns to the desired height before installing the display.

### Maintenance

- Check if the bracket is secure and safe to use at regular intervals(at least every three months).
- Please contact your distributor if you have any questions.

INSTALLATION MANUAL


**HAM-603**

**VESA Compatible**  
200x200/300x300/400x200  
400x400/600x400/800x400  
800x600/1000x600

**100"**  
MAX

**100kg/220lbs** **5kg/11lbs** **5kg/11lbs**

rated for TV    rated for DVD    rated for CAMERA

 **Read the entire instruction manual before you start installation and assembly. If you have any questions regarding any of the instructions or warnings, please contact your local distributor for assistance.**

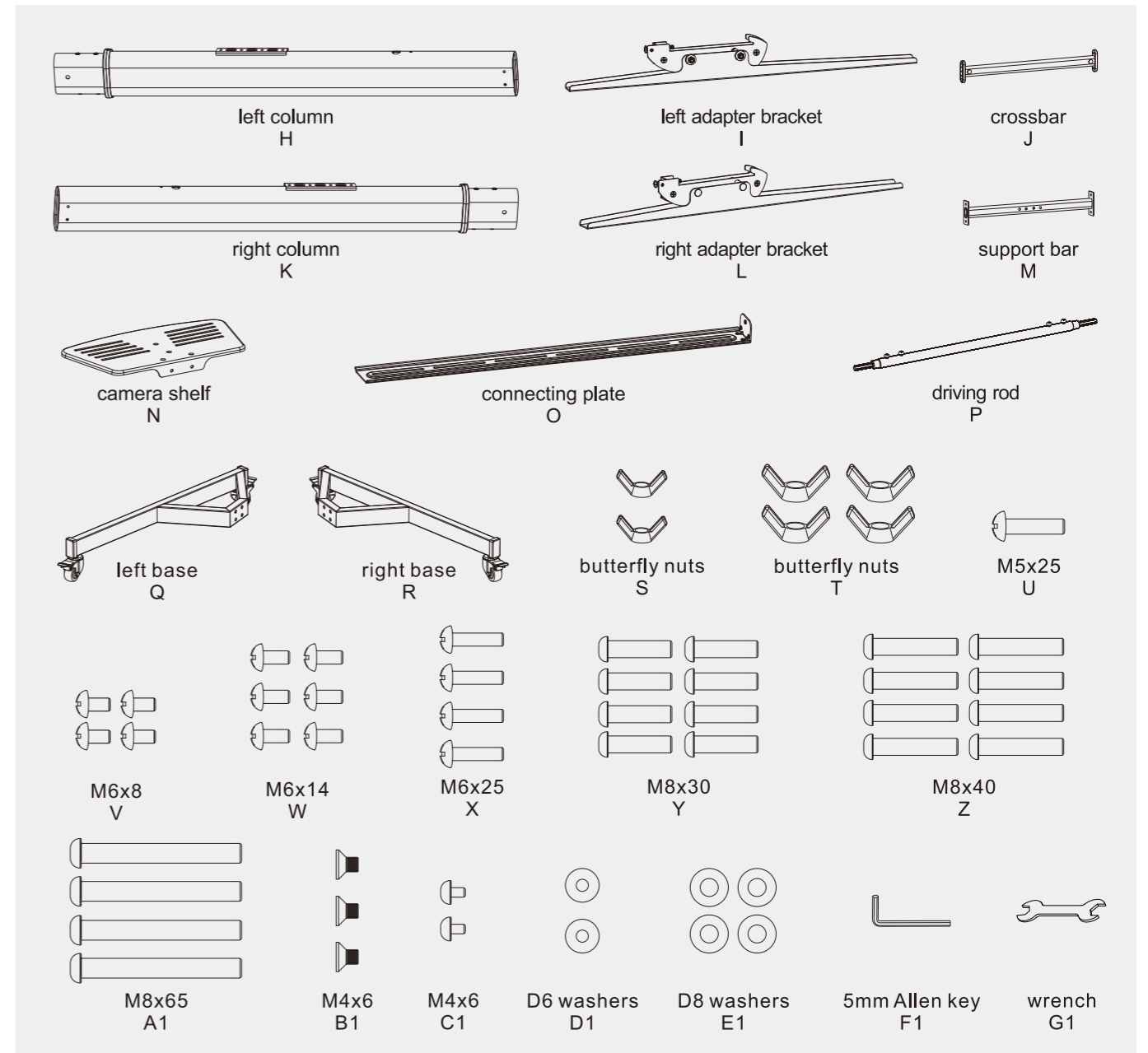
## CAUTION

- Use with products heavier than the rated weights indicated may result in instability causing possible injury.
- Please closely follow the assembly instructions. Improper installation may result in damage or serious personal injury.
- Safety gear and proper tools must be used. This product should only be installed by professionals.
- Make sure that the supporting surface will safely support the combined weight of the equipment and all attached hardware and components.
- Use the mounting screws provided and **DO NOT OVER TIGHTEN** mounting screws.
- This product contains small items that could be a choking hazard if swallowed. Keep these items away from children.
- This product is intended for indoor use only. Using this product outdoors could lead to product failure and personal injury.

### Required for Installation

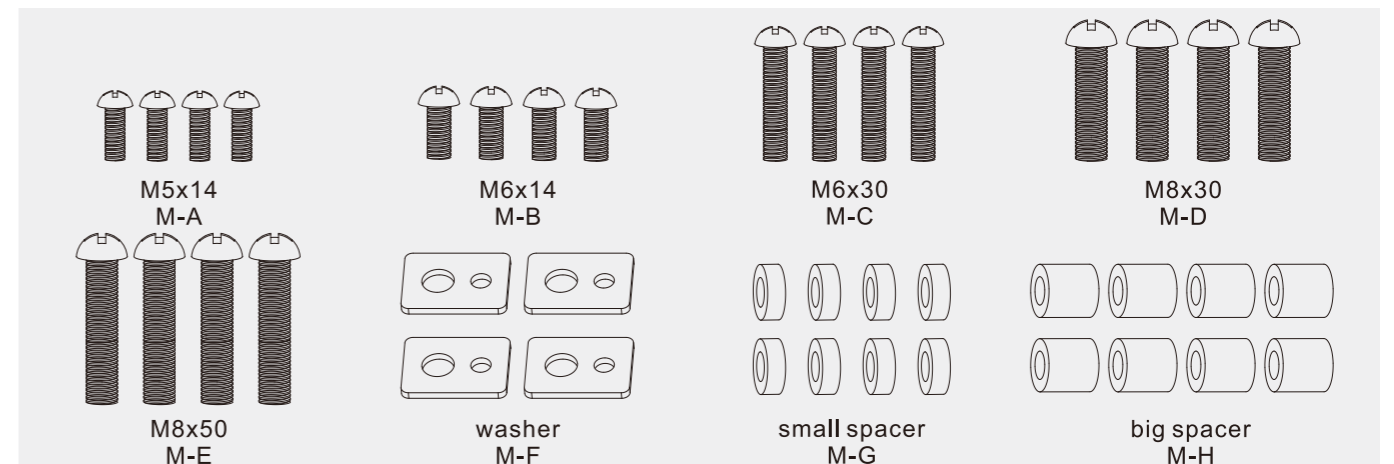


### Component Checklist

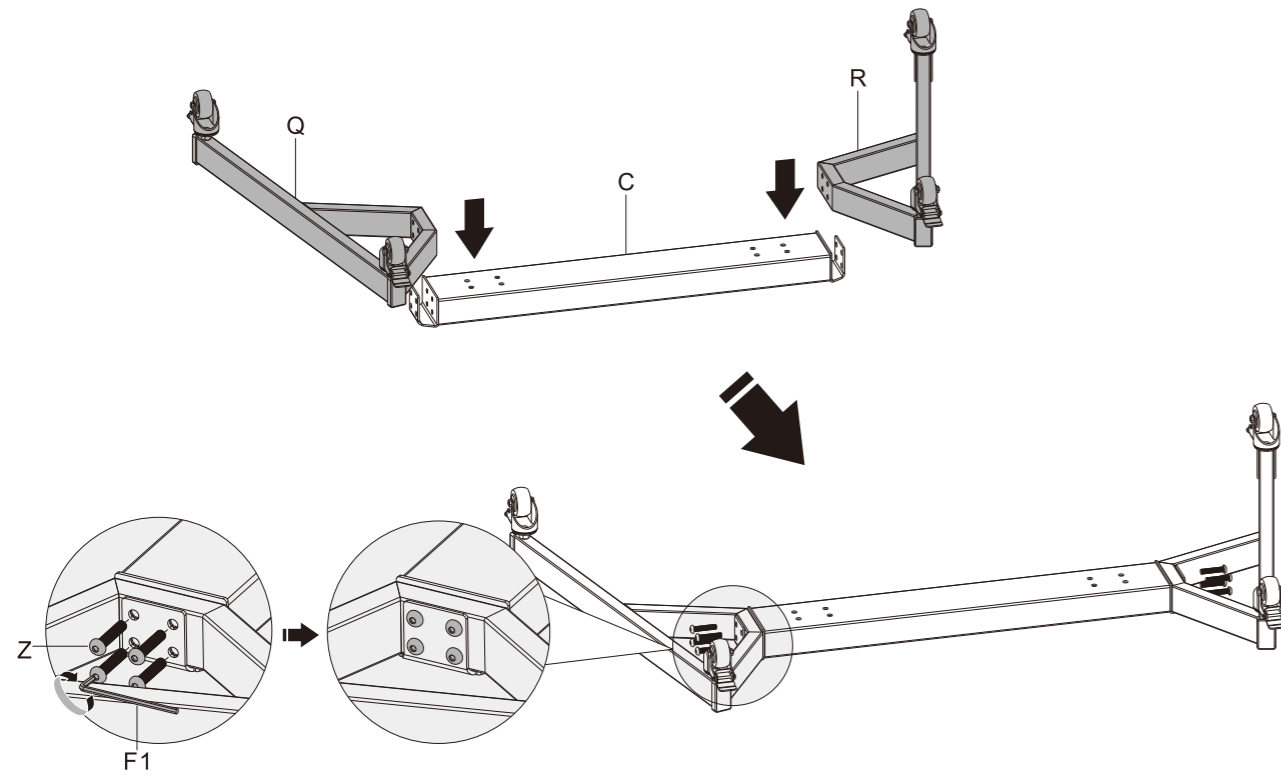


**IMPORTANT:** Ensure that you have received all parts according to the component checklist prior to installation. If any parts are missing or faulty, contact your place of purchase for a replacement.

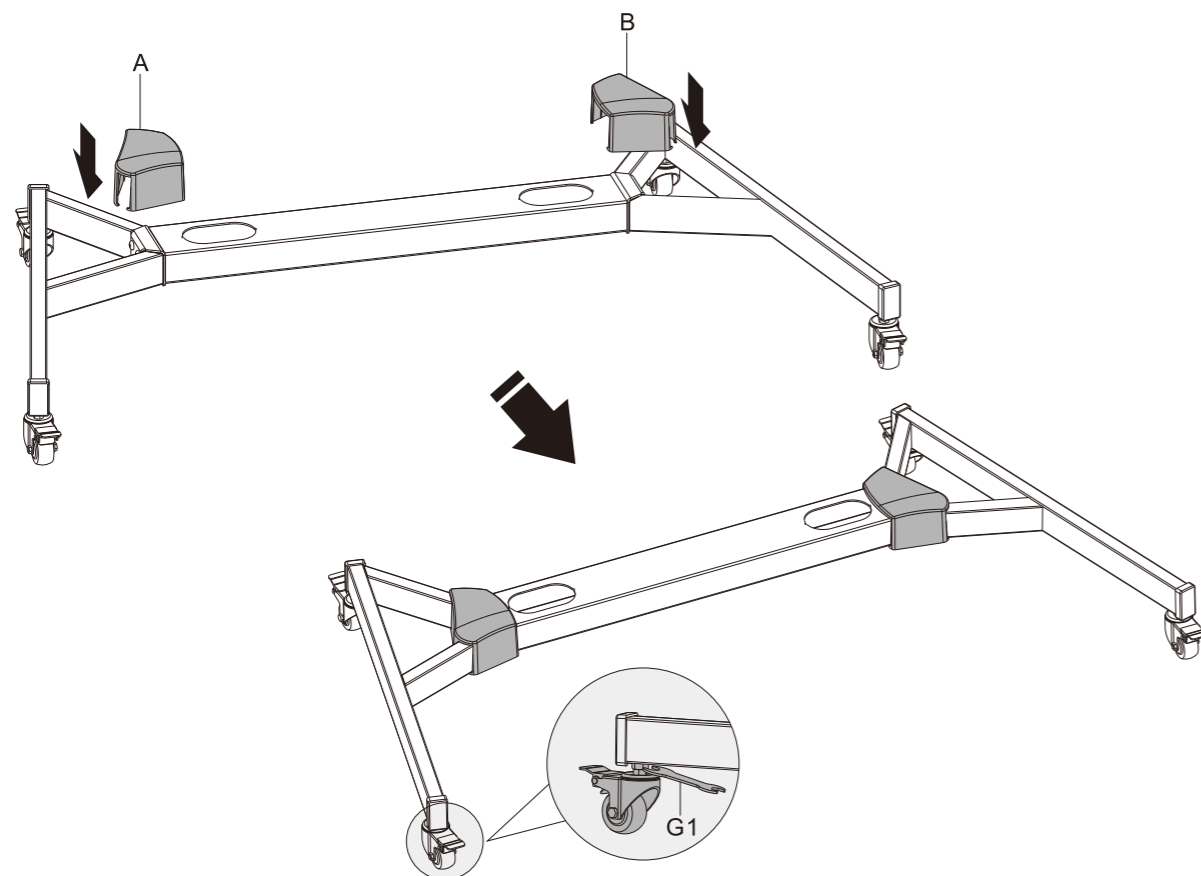
### Package M



## 1. Assembling the Base

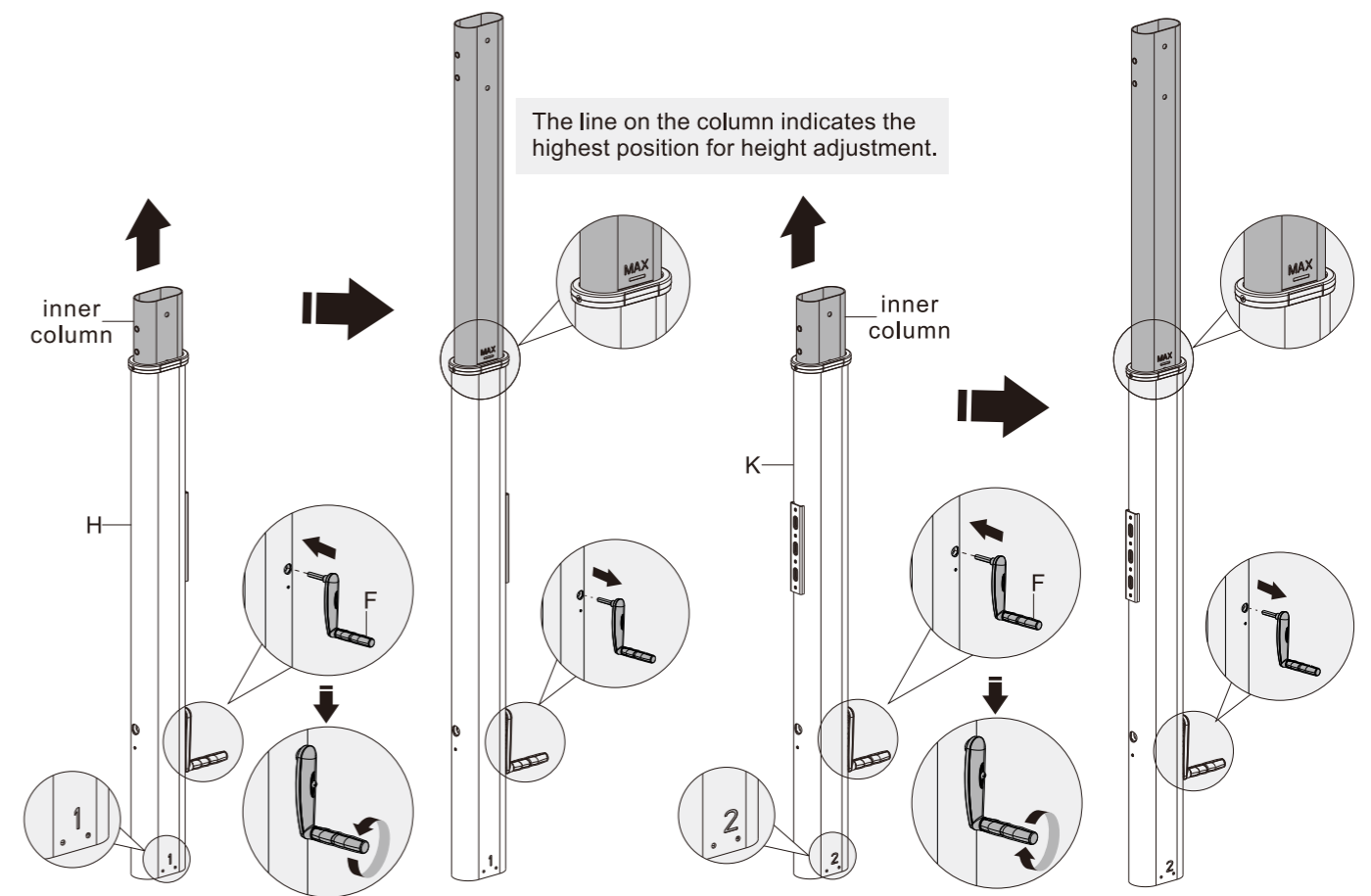


Attach the right base to the middle base and secure with screws(Z). Repeat this step for the left base.



**NOTE:** Lock the brakes on the casters to avoid any unexpected movements during installation. Each caster can be adjusted independently for fine tuning. Slightly turn the nut to lower or raise the base.

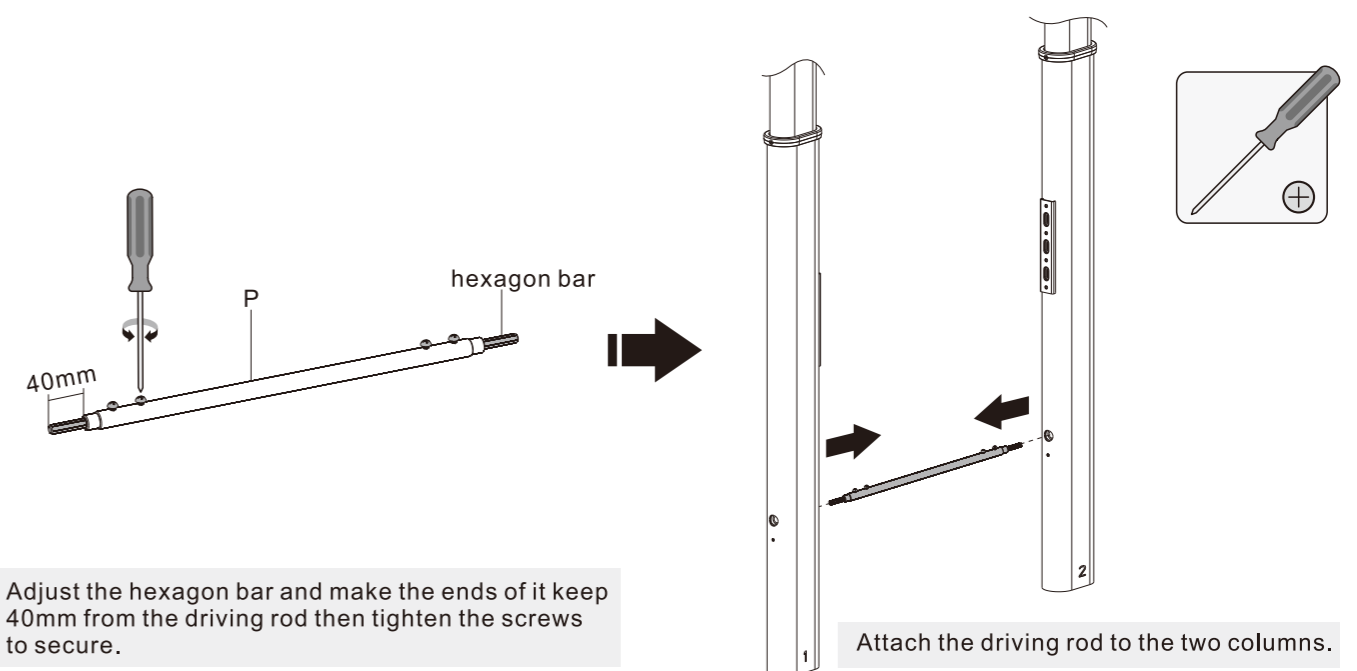
## 2. Adjusting the Columns



Attach the handle to the column marked with "1".  
Attach the handle to the column marked with "2".  
Turn the handle to make the inner column run upwards to the highest position.

**NOTE:** With the "1" and "2" mark facing forward.

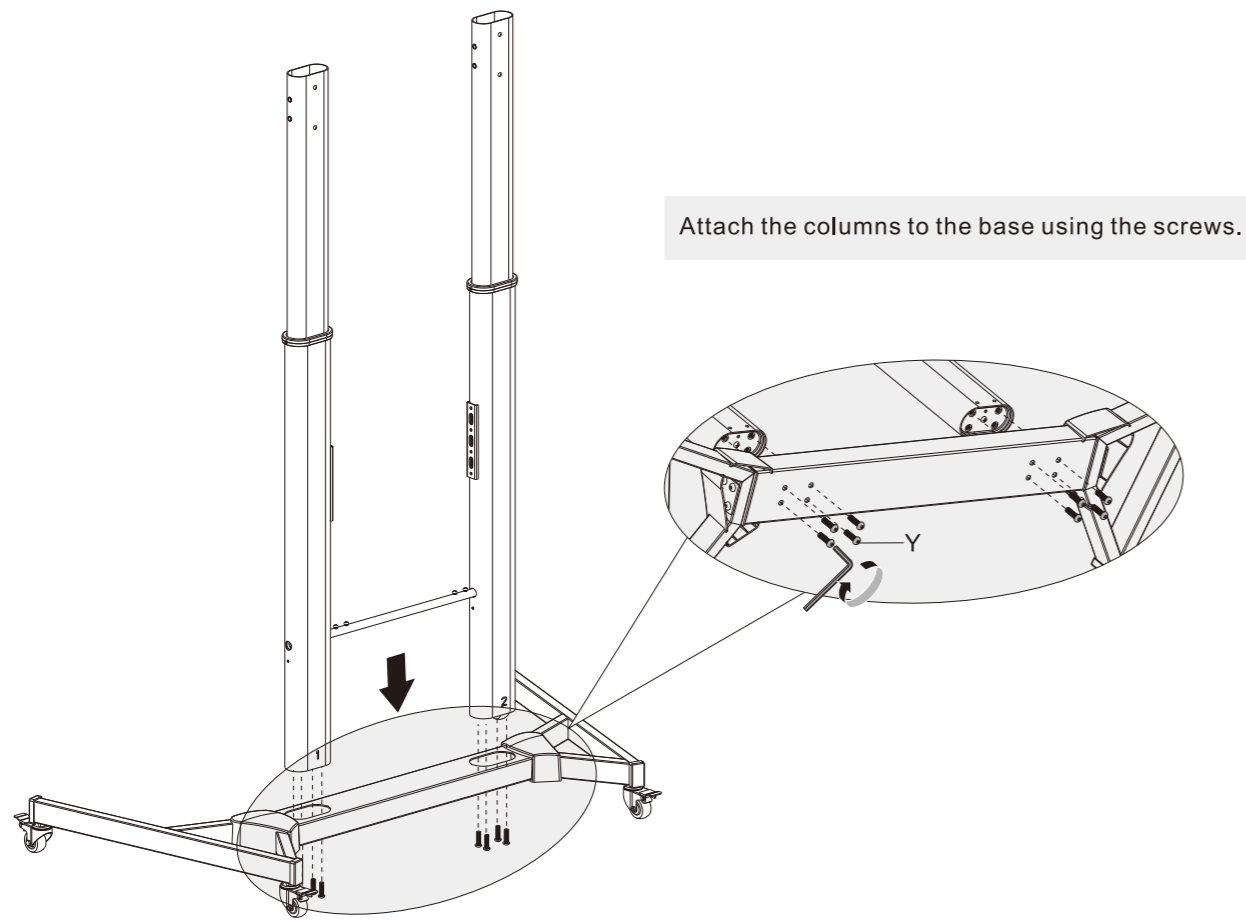
## 3. Attaching the Driving Rod to the Two Columns



Adjust the hexagon bar and make the ends of it keep 40mm from the driving rod then tighten the screws to secure.

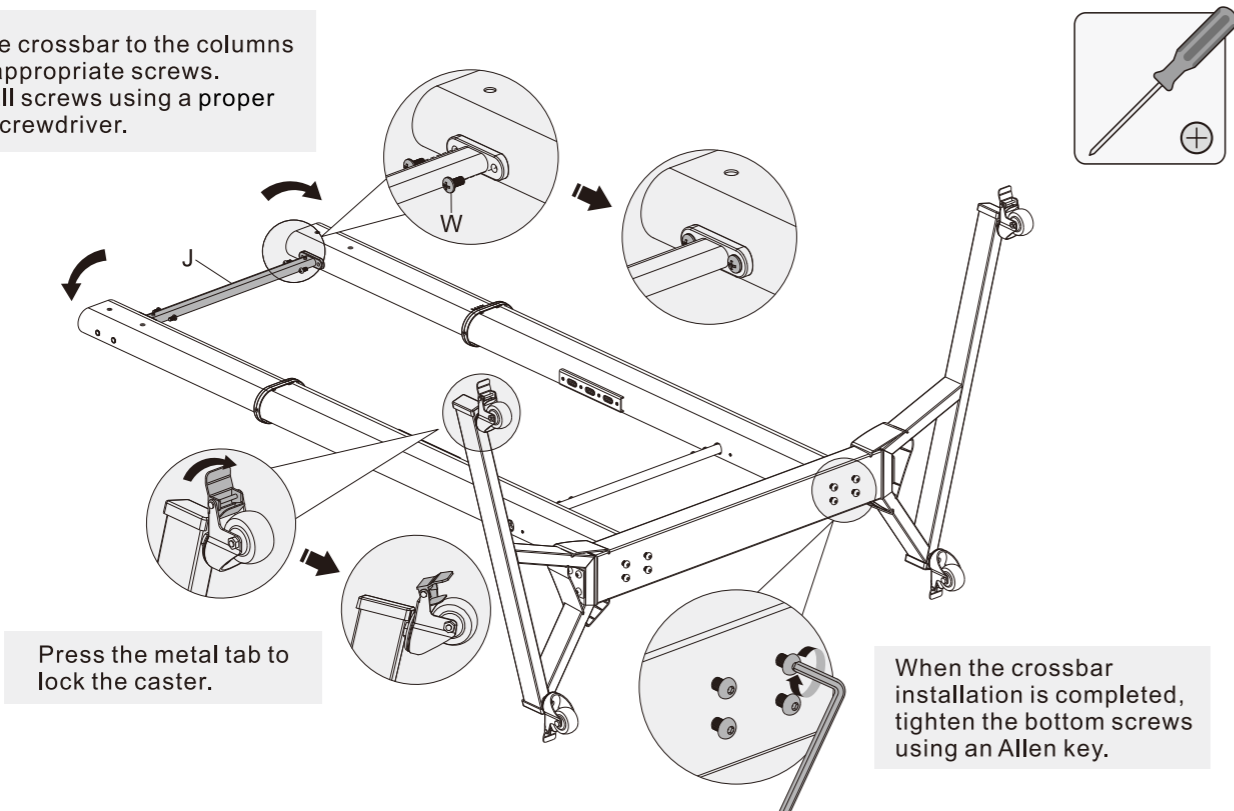
Attach the driving rod to the two columns.

#### 4. Attaching the Columns to the Base

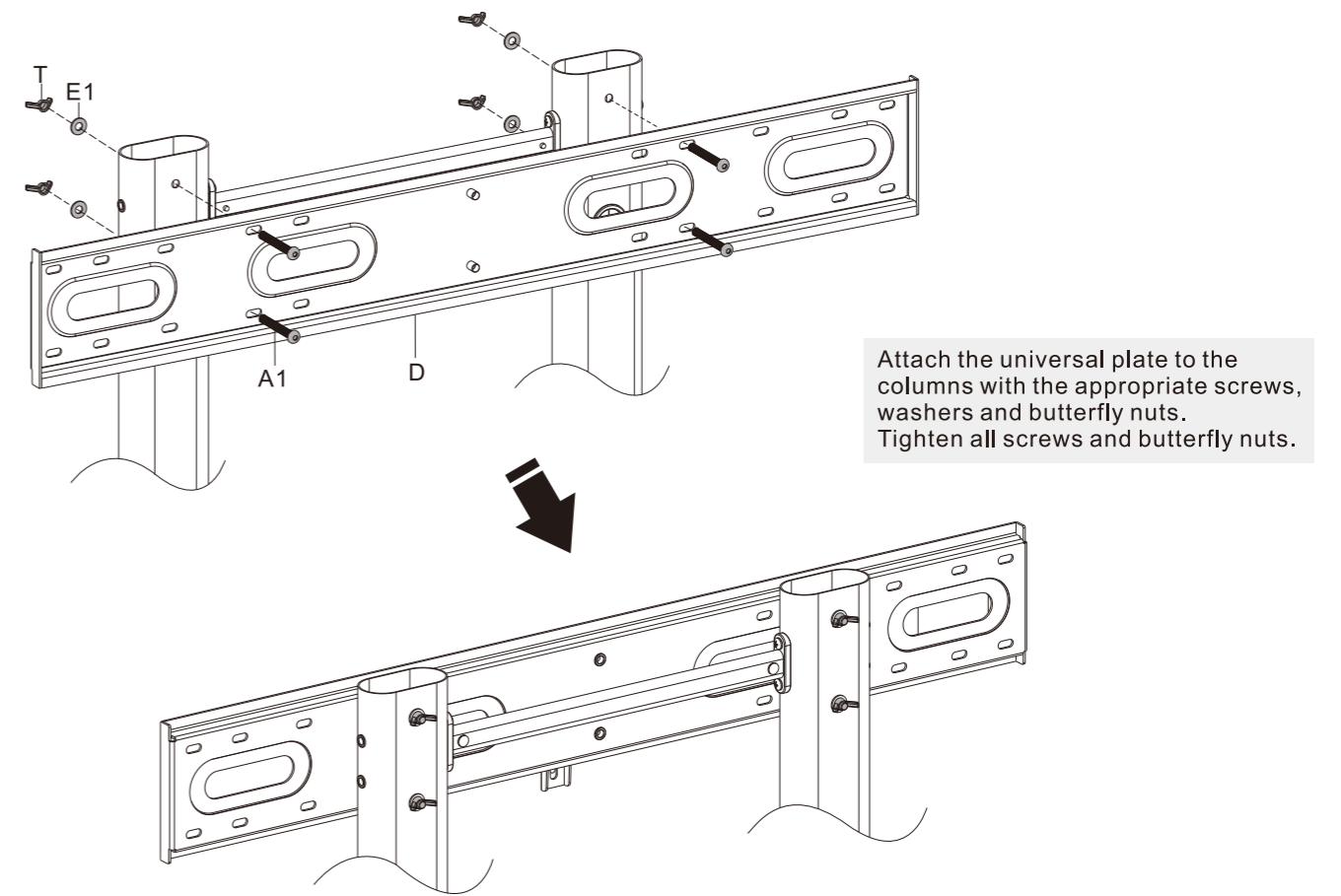


#### 5. Installing the Crossbar

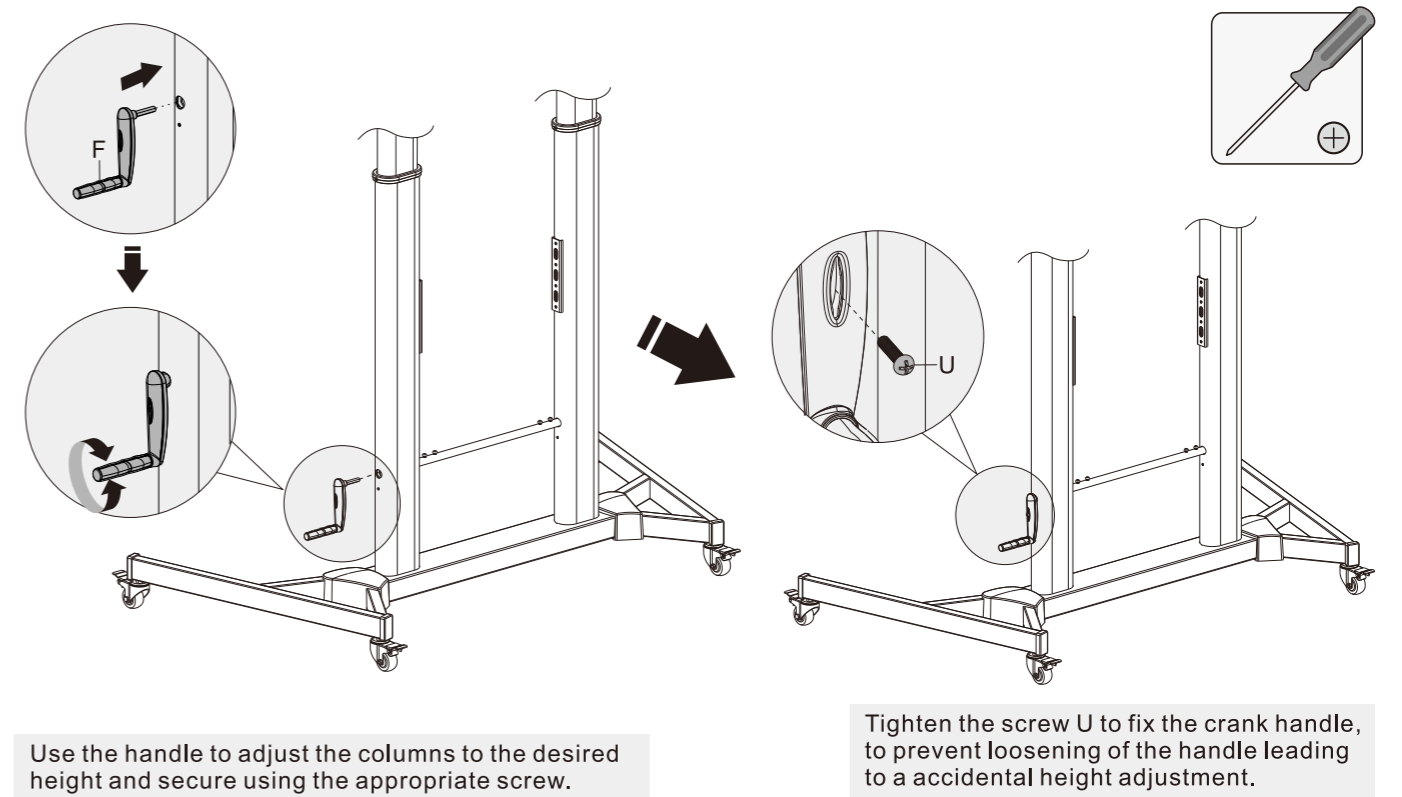
Attach the crossbar to the columns with the appropriate screws. Tighten all screws using a proper Phillips screwdriver.



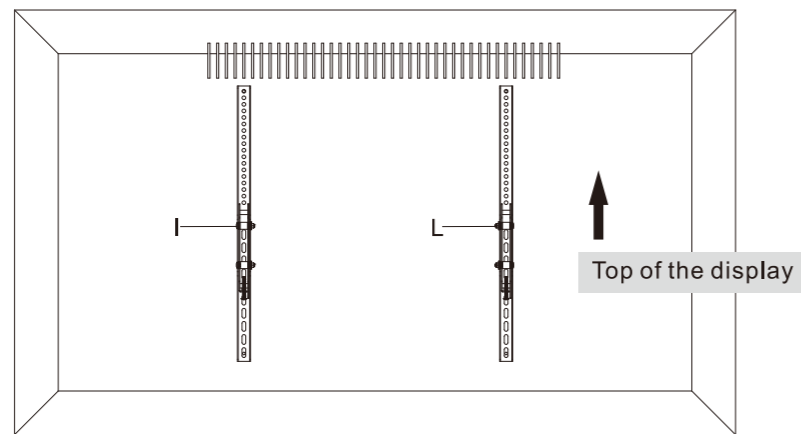
#### 6. Installing the Universal Plate



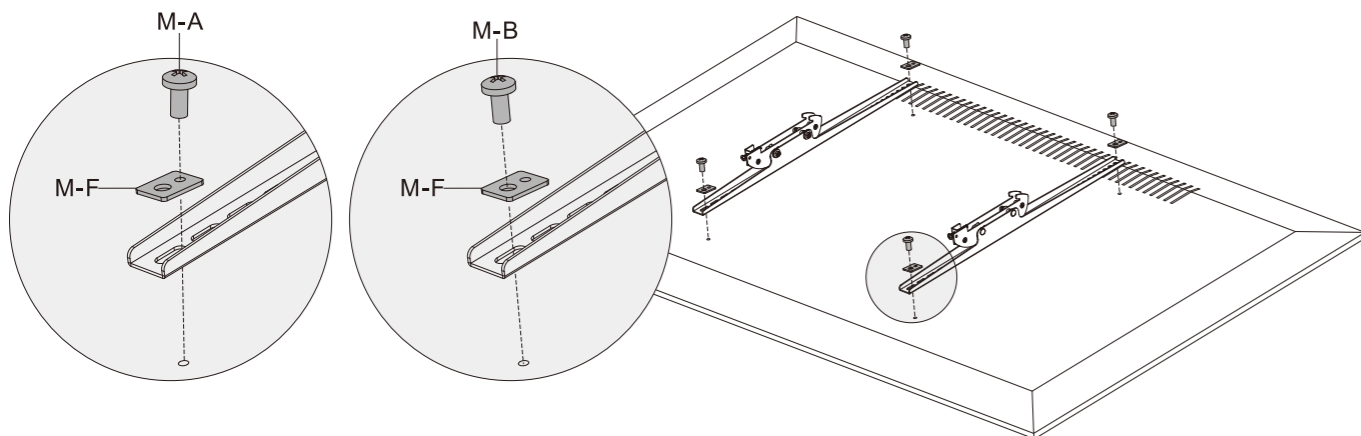
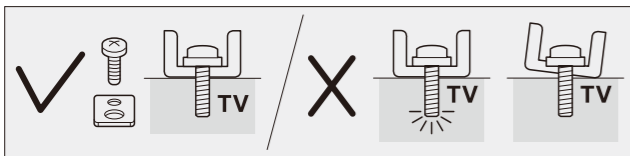
#### 7. Adjustment



## 8. Installing the Adapter Brackets

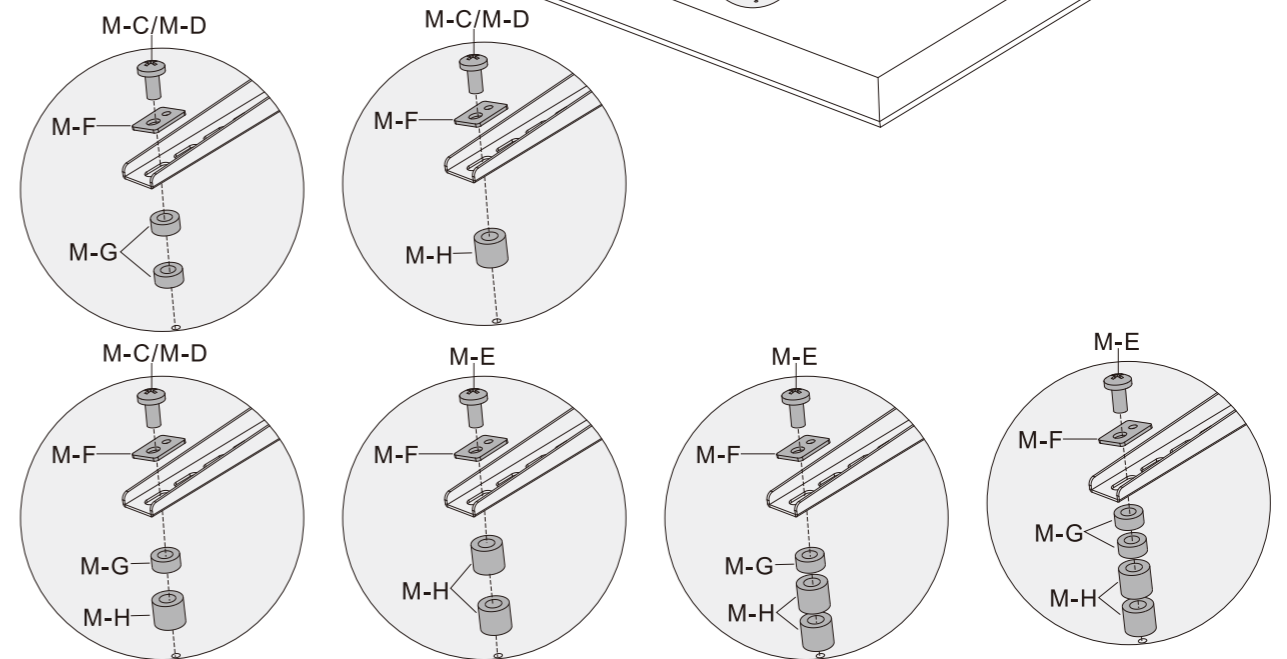
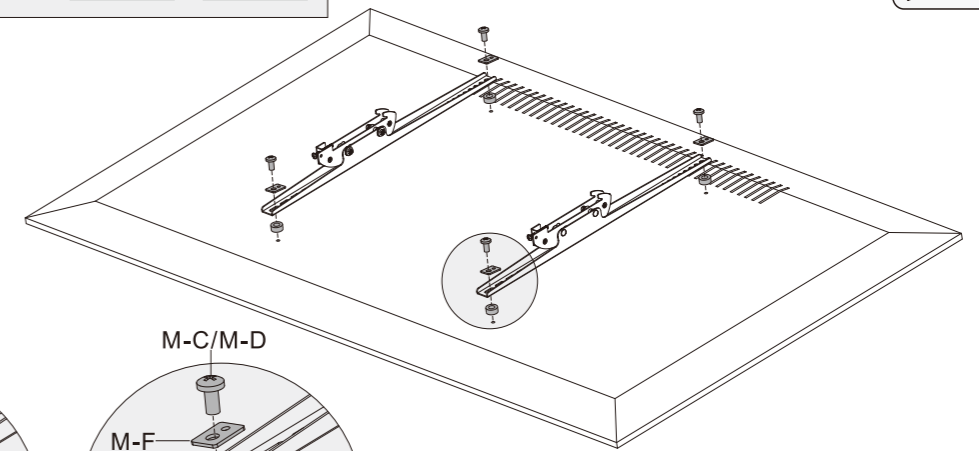
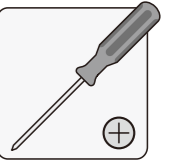


### 8a. For Flat Back Screens



<b>M-A</b>		<b>M-B</b>	
<b>M-F</b>			

### 8b. For Screens with Irregular Back

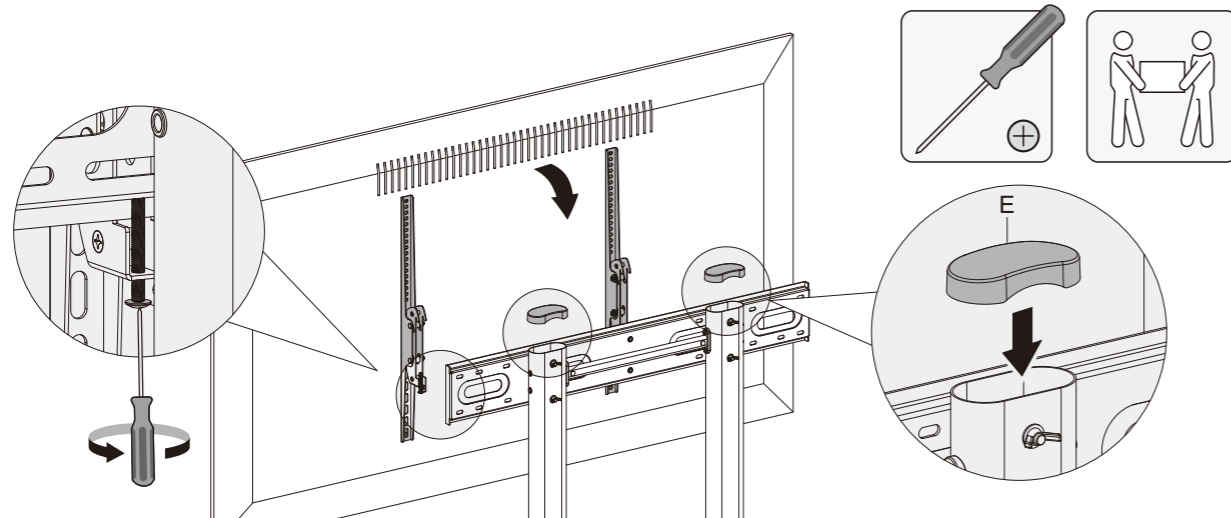


<b>M-C</b>		<b>M-D</b>	
<b>M-E</b>		<b>M-F</b>	
<b>M-G</b>		<b>M-H</b>	

**Note:** Choose the appropriate screws, washers and spacers (if necessary) according to the type of screen.  
 • Position the adapter brackets as close as possible to the center of the display.  
 • Screw the adapter brackets onto the display.

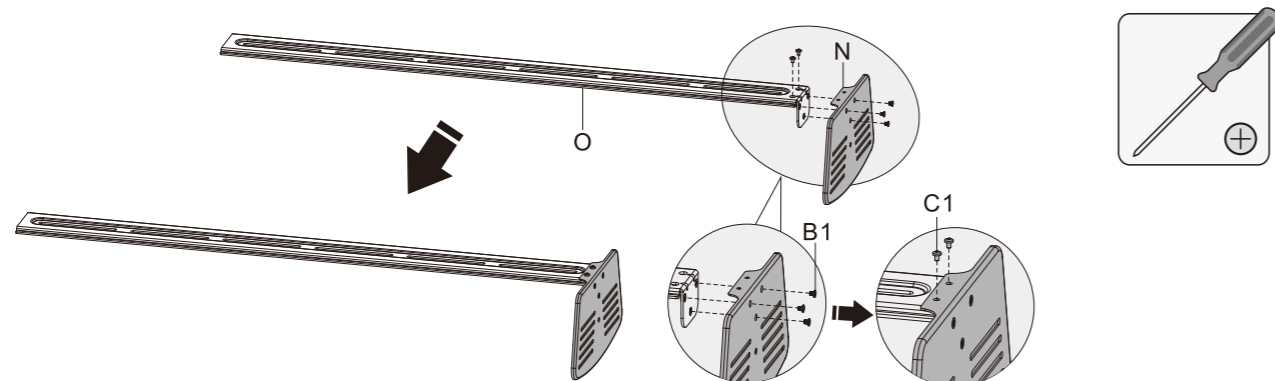
**⚠ Tighten all screws but do not over tighten.**

## 9. Hooking the Display onto the Universal Plate

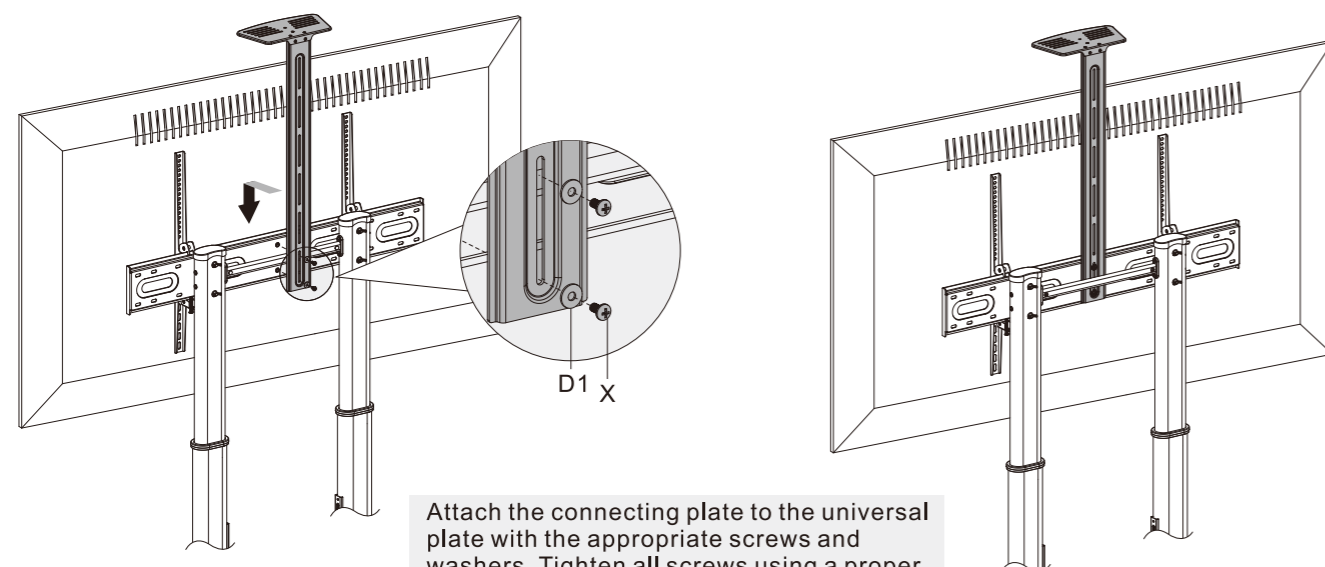


- Hook the display onto the universal plate.
  - Tighten the bottom screws to secure them.
- IMPORTANT:** Make sure the display is mounted correctly and the screws are tightened safely before releasing the display.

## 10. Installing the Camera Shelf

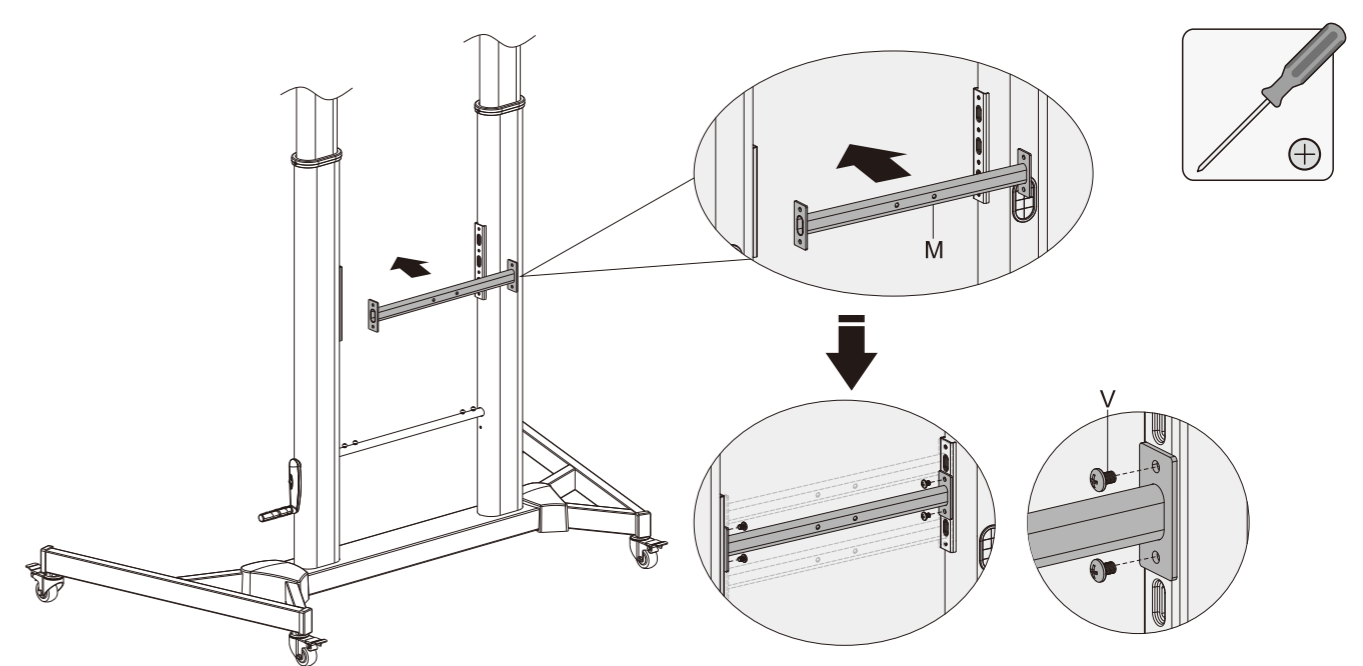


Attach the camera shelf to the connecting plate with the appropriate screws. Tighten all screws using a proper Phillips screwdriver.

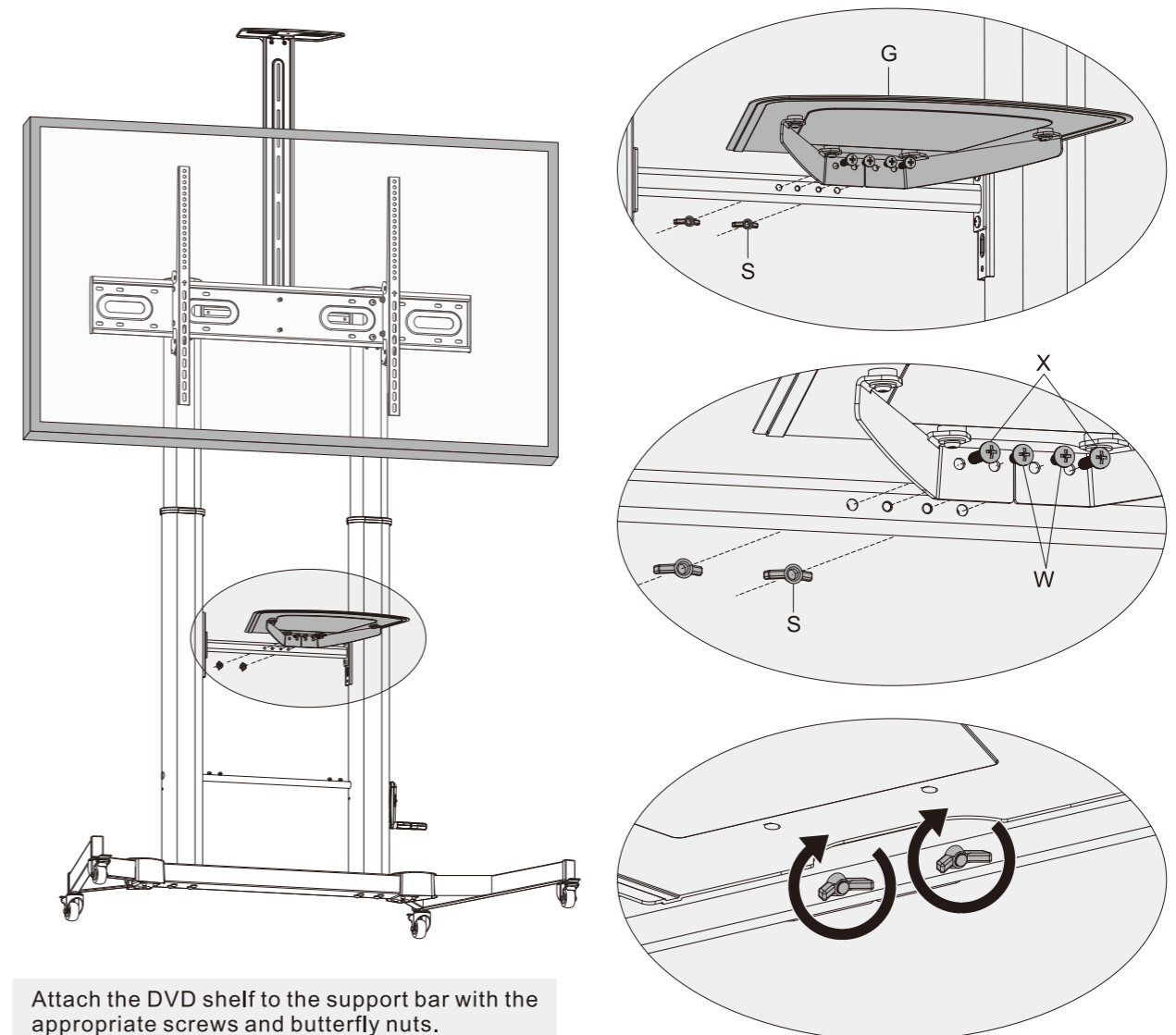


Attach the connecting plate to the universal plate with the appropriate screws and washers. Tighten all screws using a proper Phillips screwdriver.

## 11. Installing the DVD Shelf



Install the support bar to the columns at the desired position and secure using the appropriate screws.



Attach the DVD shelf to the support bar with the appropriate screws and butterfly nuts. Tighten all screws and butterfly nuts to secure.