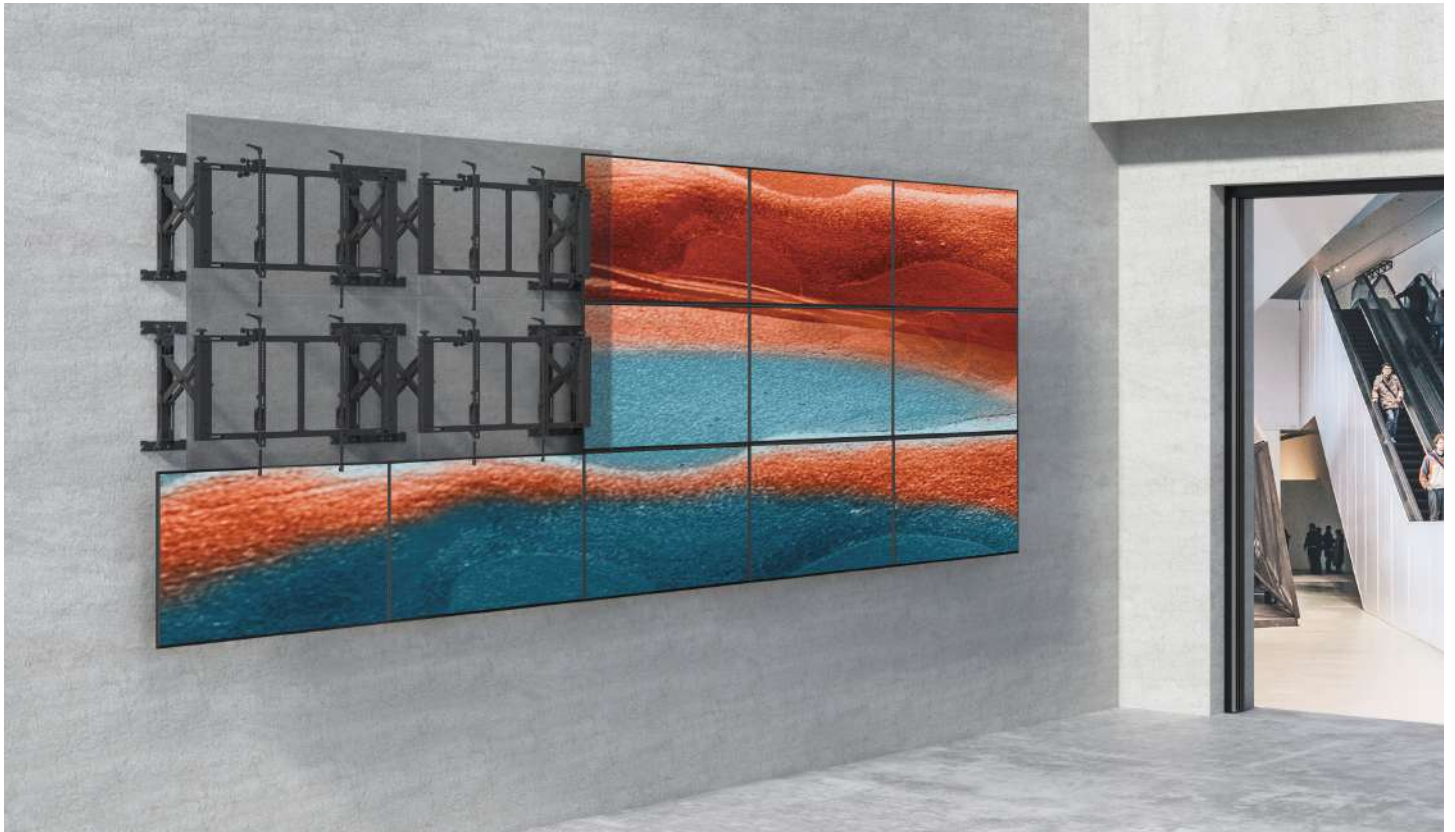


# HAM-6013A&HAM-6013

## Quick Assembly Video Wall Mount



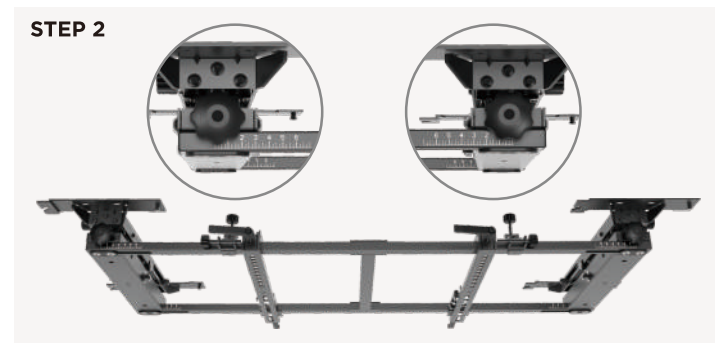
The Series Quick Assembly Video Wall Mounts help to save a lot of time for measurement and screen alignment. The additional extension rails maximize the applicability of various screen sizes.



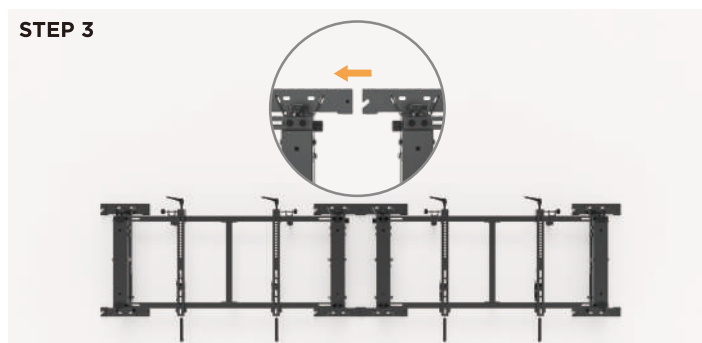
### Ease of Installation



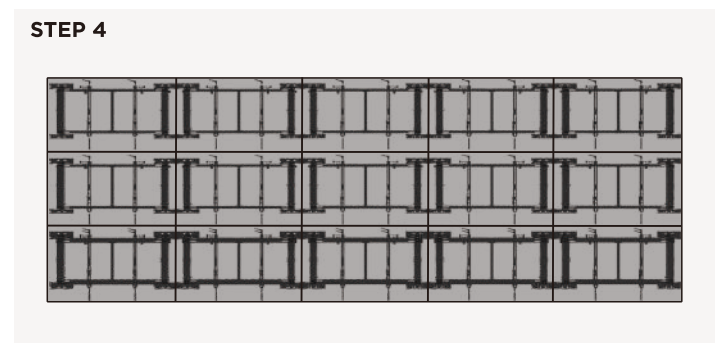
Adjust the width of the first mount according to the display size



Read the scale and repeat the same location on the other mounts

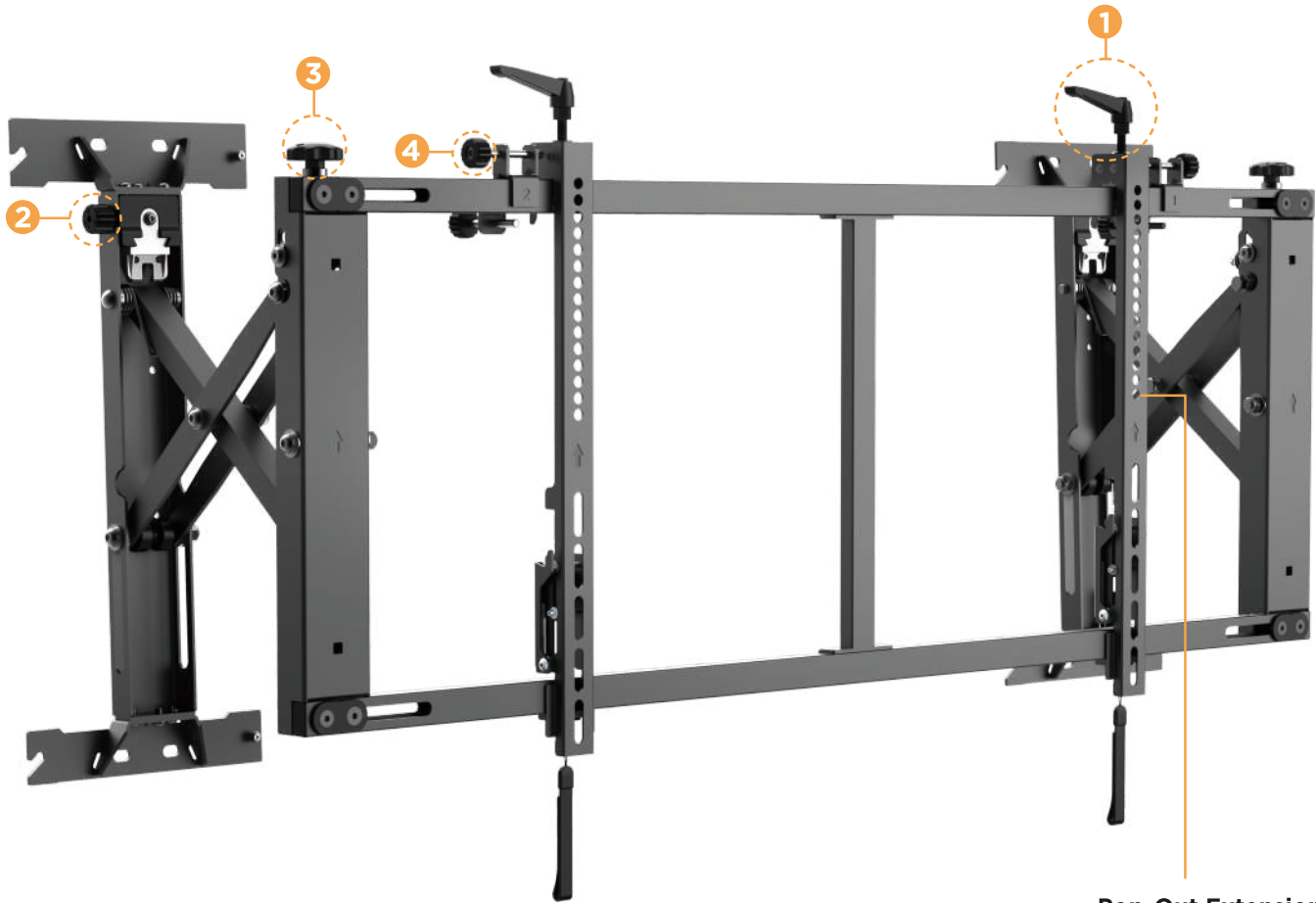


Simply connect the mounts



Hang the displays and make fine adjustments for a seamless appearance

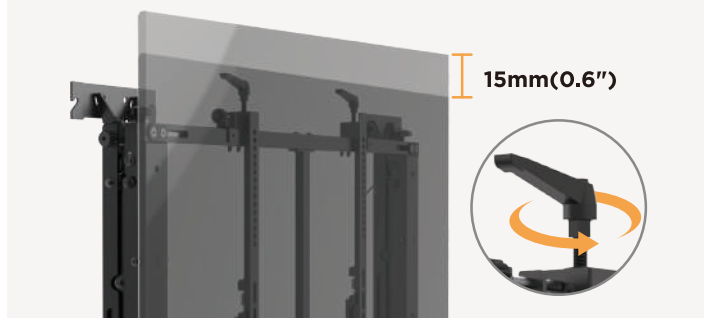
# HAM-6013A&HAM-6013 Quick Assembly Video Wall Mount



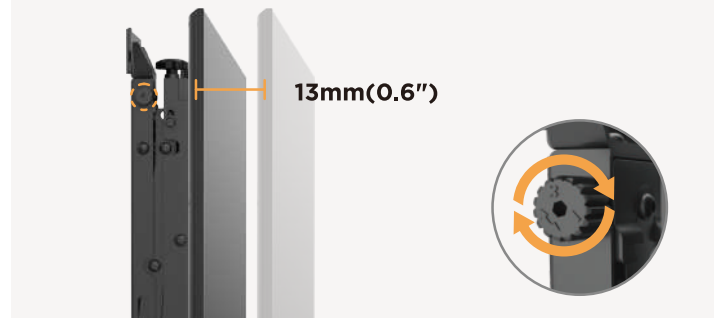
**Precise Display Alignment**  
for seamless digital signage

**Pop-Out Extension**  
provides quick access for  
installation and maintenance

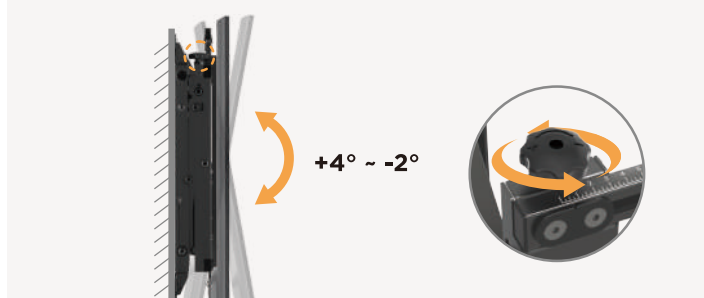
## 1 Height Adjustment



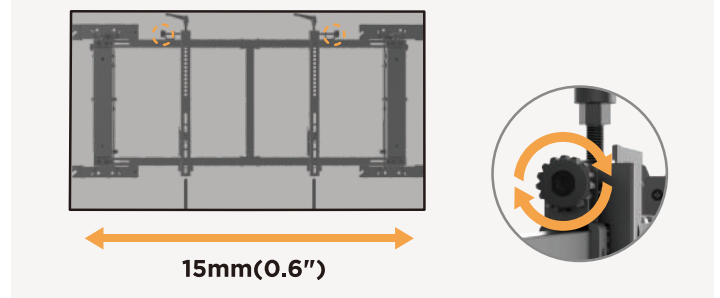
## 2 Depth Adjustment



## 3 Tilt Adjustment



## 4 Lateral Adjustment

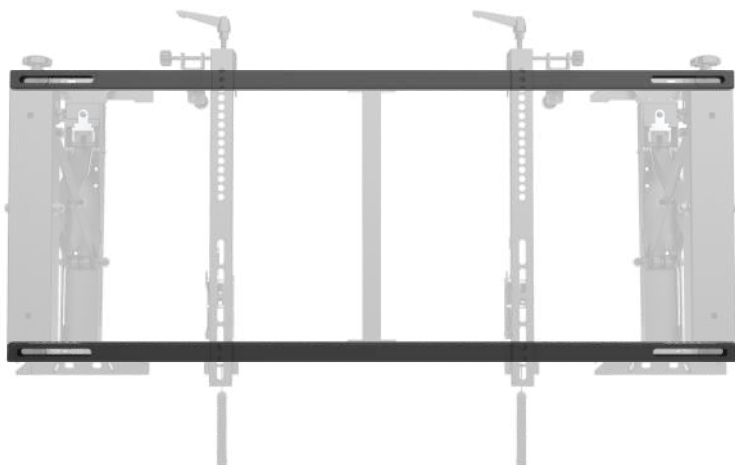


# HAM-6013A&HAM-6013

## Video Wall Mount Extension Rails



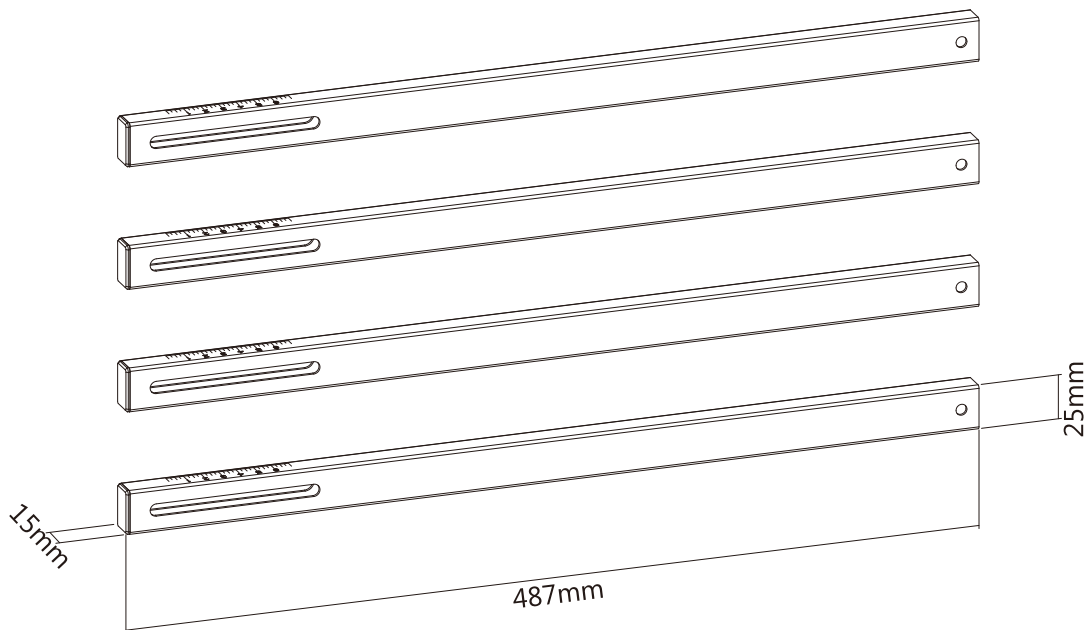
Replaceable to Maximize the Applicability  
of Various Screen Sizes



### HAM-6013A



Screen Size  
45" - 50"



# HAM-6013A&HAM-6013

## Quick Assembly Video Wall Mount



### HAM-6013



Screen Size  
50" - 55"



Max. VESA  
800x400



Weight Capacity  
70kg/154lbs



Tilt Range  
+4° - -2°



Four Times  
Strength Tested



Profile to Wall  
85 - 263mm/  
3.3 - 10.4"



Direction Indicator

