

HAM-112

PREMIUM TRIPLE MONITORS ALUMINUM POLE MOUNTED GAS SPRING MONITOR ARM



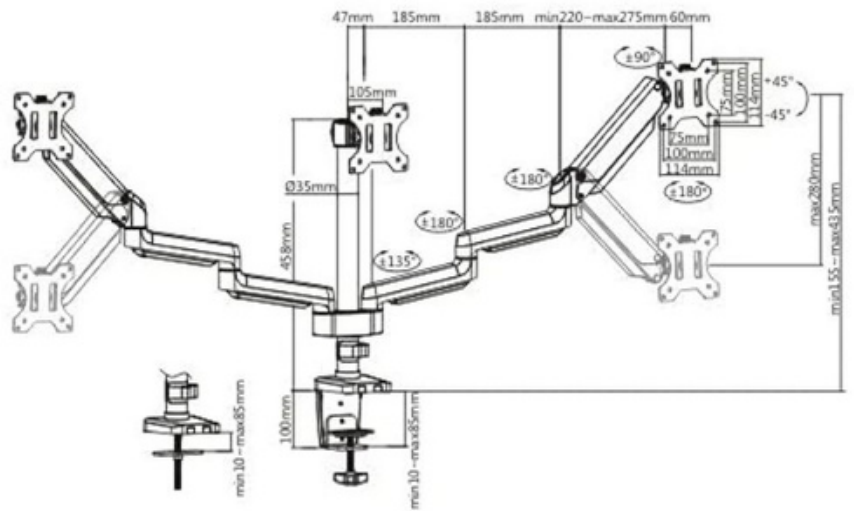
Fit Screen Size
17"-27"

Weight Capacity
1.5~7kg

Swivel Range
+90°~-90°

Tilt Range
+45°~-45°

VESA Compatible
75x75,100x100



Cable Management

Free-Tilting Design

360° Rotary VESA Plate