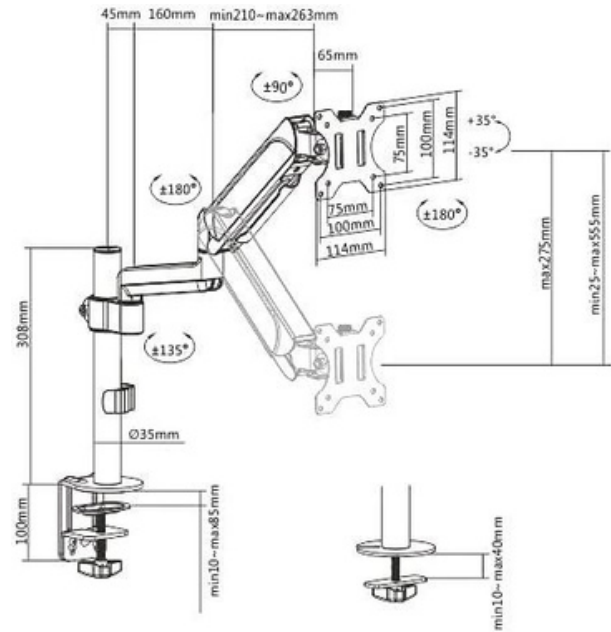


HAM-108

SINGLE MONITOR POLE-MOUNTED GAS SPRING MONITOR ARM



Fit Screen Size
17"-32"

Weight Capacity
1~9kg

Swivel Range
+90°~-90°

Tilt Range
+35°~-35°

VESA Compatible
75x75,100x100



Detachable VESA Plate
makes installation a click



Adjustable Spring Gauge
perfectly balances most monitors for
easy movement



Built-In Cable Management
keeps wires organized for a clean look