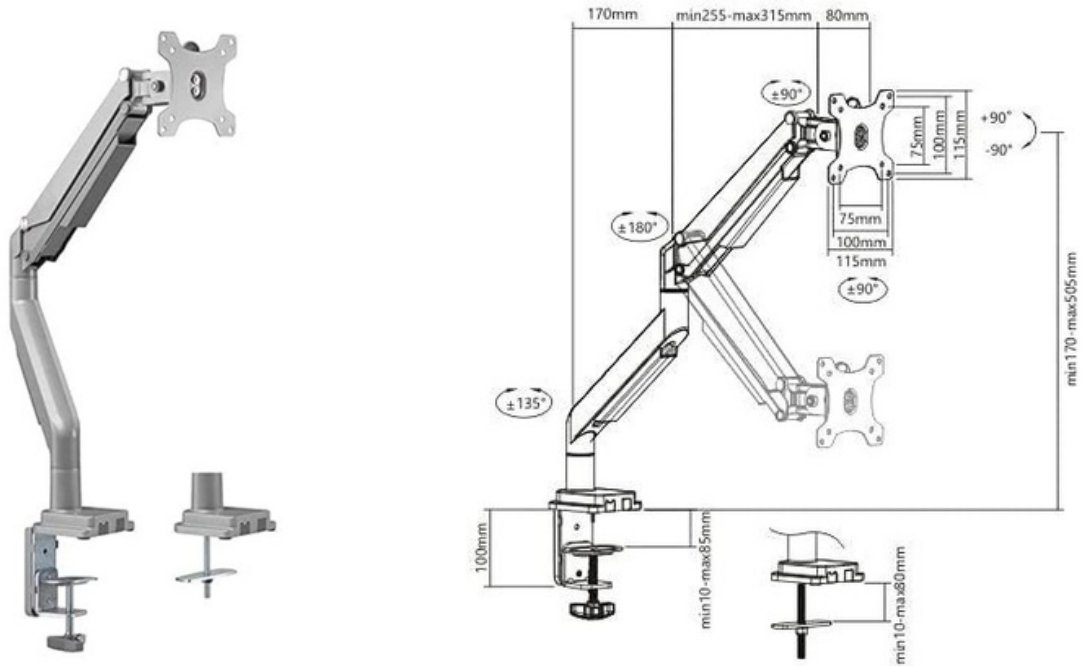


HAM-105

SINGLE MONITOR PERFORMANCE GAS SPRING
ALUMINUM MONITOR ARM



Fit Screen Size
17"-32"

Weight Capacity
1~9kg

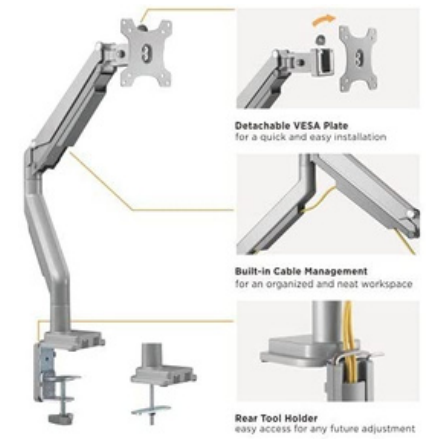
Swivel Range
+90°~-90°

Tilt Range
+90°~-90°

VESA Compatible
75x75,100x100

Effortless Gas Spring Design
adjusts easily to the most comfortable viewing position

Adjustable Gas Spring
perfect weight balance for monitors



Detachable VESA Plate Design

Adjustable Gas Spring

Swiveling Arm(s)