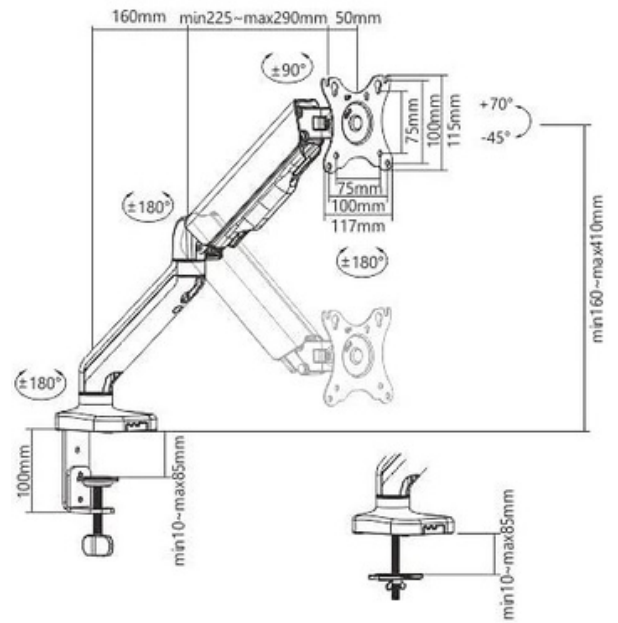


HMD-103

COST-EFFECTIVE SPRING-ASSISTED MONITOR ARM



Fit Screen Size
17"-32"

Weight Capacity
2~9kg

Swivel Range
+90°~-90°

VESA Compatible
75x75,100x100

Tilt Range
+70°~-45°



Cable Management
for a clean and tidy look

Cable Management



VESA Plate with Keyhole Pattern
helps easy attachment and removal

Built-in Spring Tension Mechanism



Quick-Release Joint
for easy assembly and compact package for e-commerce

Two Mounting Options