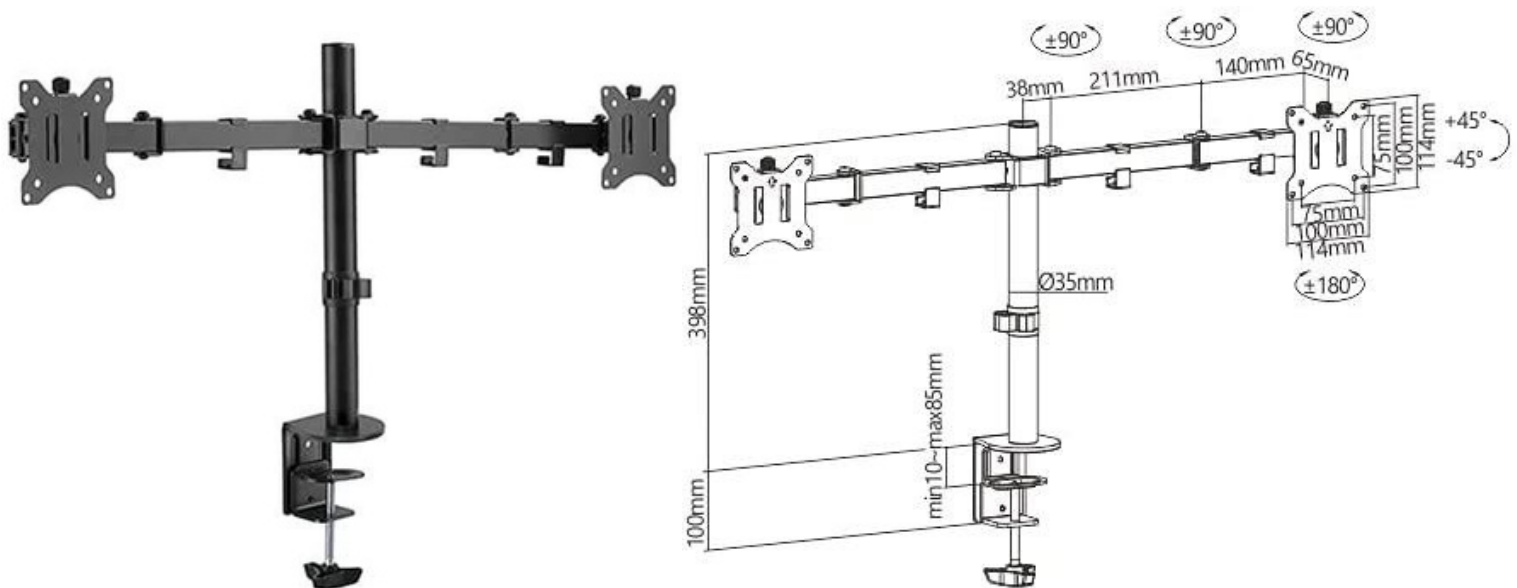


# HAM-102



DUAL MONITORS ECONOMICAL STEEL  
ARTICULATING MONITOR ARM



**Fit Screen Size**  
17"-32"

**Weight Capacity**  
8KG

**VESA Compatible**  
75x75,100x100

**Tilt Range**  
 $+45^\circ \sim -45^\circ$

**Swivel Range**  
 $+90^\circ \sim -90^\circ$



**Cable Management**



**360° Rotary VESA Plate**



**Detachable VESA Plate Design**