

HAM-101



SINGLE MONITOR ECONOMICAL STEEL ARTICULATING MONITOR ARM



Fit Screen Size
17"-32"

Weight Capacity
8kg

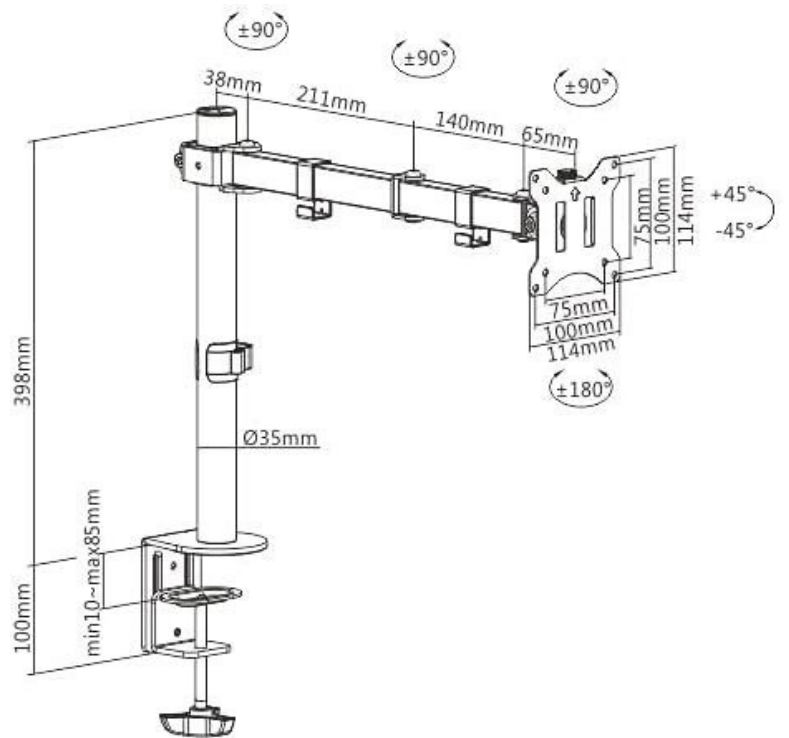
Swivel Range
+90°~-90°

Tilt Range
+45°~-45°

VESA Compatible
75x75,100x100



Cable Management



Free-Tilting Design

360° Rotary VESA Plate