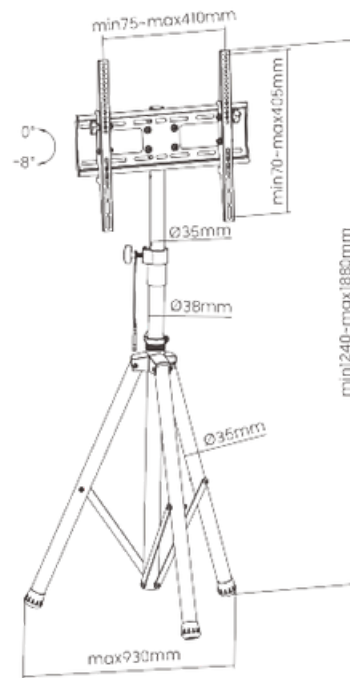


HAM-444

TILTING TV MOUNT WITH PORTABLE TRIPOD STAND



Fit Screen Size
32"-55"

Weight Capacity
35kg

Column Size
1240-1880mm (48.8"-74")

Tilt Range
0°~-8°

VESA Compatible
200x200, 400x200, 300x300,
400x400



A-Frame Design
portable and foldable for
storage



Five Height Settings
for a desired viewing
position



**Secure Height
Adjustment**
firmly fixes height with
security pin